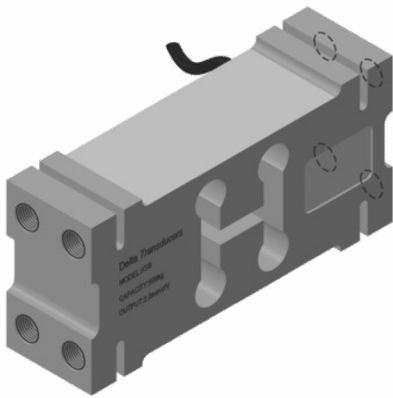


Delta Transducers

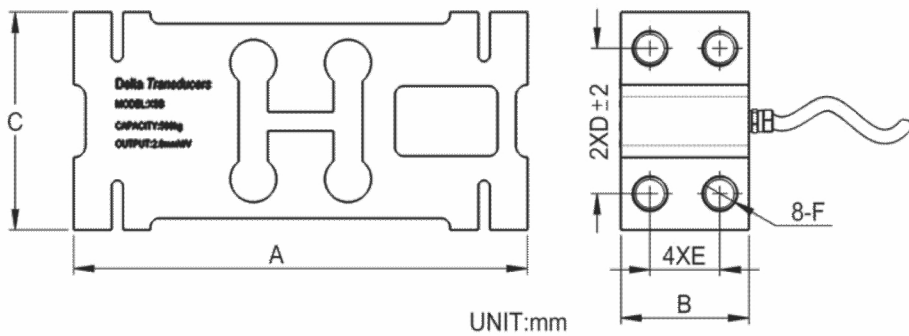
Model : XSB



Features & Application

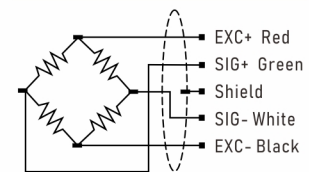
Usage & Features: Pricing Scale, Counting Scale, Weighing Scale, Platform Scale

Mounting Dimension



量程(kg)	A	B	C	D	E	F
50-200	156	44	75	50	24	M12x1.75
300-500	146	60	94	70	36	M12x1.75
750-2000	176	76	124	95	46	M16x2

Wiring



Technical Parameters

Specifications	Technique
Rated load	50, 100, 200, 250, 500, 750, 1000, 2000 kg
Rated Output	2.0 mV/V \pm 5%
Zero balance	\pm 0.0200mV/V
Non-linearity	0.02%R.O.
Hysteresis	0.02%R.O.
Repeatability	0.02%R.O.
Creep (30mins)	0.02%R.O.
Safe overload	150% R.O.
Ultimate overload	200% R.O.
Temp.effect on output	0.002%R.O./ $^{\circ}$ C
Temp.effect on zero	0.003%R.O./ $^{\circ}$ C
Input impedance	410 \pm 15 Ω
Output impedance	350 \pm 5 Ω
Insulation resistance	\geq 5000M Ω / 50VDC
Recommended Excitation	5~12VDC
Maximum excitation	15VDC
Operating temperature range	-20~60 $^{\circ}$ C
Cable	ϕ 6x3m