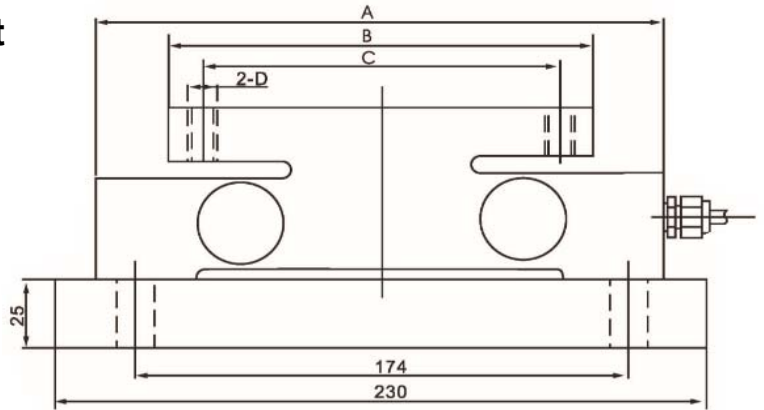
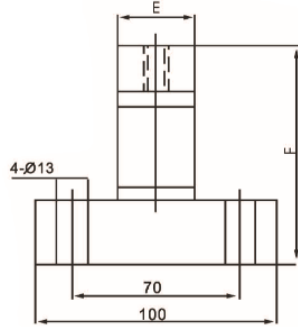




1~5t



Rated Load (t)	A	B	C	D	E	F
1-2	200	150	126	M10	32	83
3-5	220	140	110	M16	45	114

TECHNICAL PARAMETER

Exc+(Red); Exc-(Black); Sig+(Green); Sig-(White)

Rated load	1,2,3,5,10,15,20,25,30,40t	Insulation resistance	≥5000MΩ
Accuracy class	0.2	Nominal Temp Range	-10°C ~ +40°C
Sensitivity	2.0±0.01mV/V	Service Temp Range	-30°C ~ +70°C
Non-linearity	±0.2%F.S	Safe load limit	150%F.S
Hysteresis error	±0.2%F.S	Breaking load	200%F.S
Creep error(30min)	±0.03%F.S	Nominal of range excitation	10~12 VDC
TC ZERO	±0.03F.S/10°C	Protection Class	IP67
TC SPAN	±0.02F.S/10°C	Material	Alloy Steel
Input resistance	750±10Ω	Cable Length	8m(1t~15t), 10m(20t)
Output resistance	702±3Ω		12m(25t), 14m(30t~40t)



10~40t

