

Delta Transducers

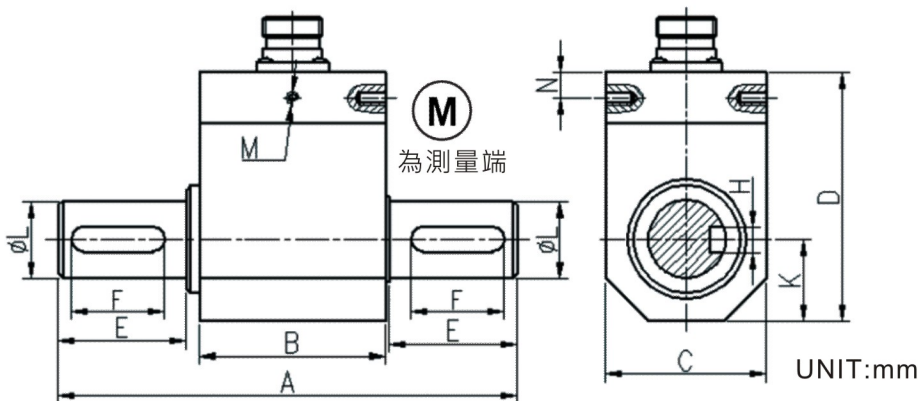
Model : ARI8-206



Features & Application

- ▲ Resistance strain is an integrated product composed of sensitive elements and integrated circuits.
- ▲ High precision, stable and reliable performance.
- ▲ High speed and long time operation.
- ▲ Output positive and reverse torque signal.
- ▲ Both ends are key connected.

Mounting Dimension

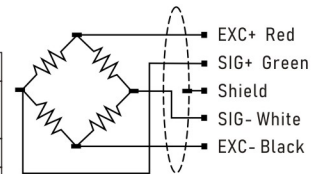


CAP(N.m)	A	∅L	B	C	D	E	F	K	N	M	H
5/10/20	108	18	44	38	58	30	22	19	6	3-M3	6
30/50/100											
200/300	143	28	56	53	73.5	40	30	27	6	2-M3	8
500/600/800	188	38	70	78	96	56	40	39	7	5-M3	10

Load Direction



Wiring



Technical Parameters

Specifications	Technique
Capacity	5、10、20、30、50、100、200、300、500、600、800 N.m
Speed Capacity	1.5mV/V
Zero Balance	±2%F.S.
Non-linearity	0.1% F.S.
Hysteresis	0.03% F.S.
Non-repeatability	0.03% F.S.
Creep (30min)	0.03% F.S.
Temp Effect On Output	0.03% F.S. / 10°C
Temp Effect On Zero	0.1% F.S. / 10°C
Response Time	1.0ms(50% Reaction)
Response Frequency	1kHz
Maximum torsion angle	2.60X10rad(0.149°)
Moment of inertia	0.38kgcm
Natural frequency of rotor vibration	19.4kHz
Torsion constant	3.85x10Nm/rad
Load Resistance	>2000MΩ
Working voltage	DC 24V 0.2A
Current Consumption	<150mA
Operating Temp.	-10~50°C 0~85%RH
Safe Overload	200%
Cable	∅5 X 3m