

Delta Transducers

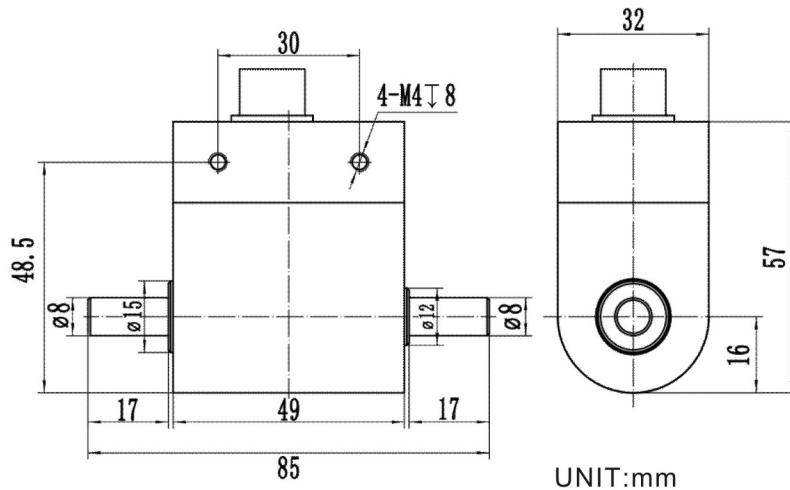
Model : ARI8-205



Features & Application

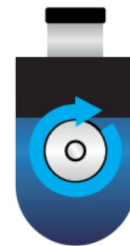
- ▲ Resistance strain is an integrated product composed of sensitive elements and integrated circuits.
- ▲ High precision, stable and reliable performance.
- ▲ High speed and long time operation.
- ▲ Output positive and reverse torque signal.
- ▲ Both ends are key connected.
- ▲ The maximum speed shall not exceed 4000rpm.

Mounting Dimension

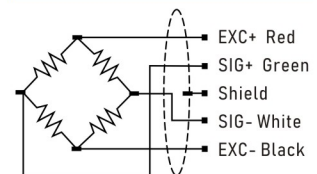


CAP(N.m)	0.1	0.2	0.3	0.5	1	2	3	5
----------	-----	-----	-----	-----	---	---	---	---

Load Direction



Wiring



Technical Parameters

Specifications	Technique
Capacity	0.1、0.2、0.3、0.5、1、2、3、5 N.m
Speed Signal	≤4000rpm
Speed Capacity	1.0~2.0mV/V
Zero Balance	±2%F.S.
Non-linearity	0.1% F.S.
Hysteresis	0.03% F.S.
Non-repeatability	0.03% F.S.
Creep (30min)	0.03% F.S.
Temp Effect On Output	0.03% F.S. / 10°C
Temp Effect On Zero	0.1% F.S. / 10°C
Response Time	1.0ms(50% Reaction)
Response Frequency	1kHz
Maximum torsion angle	2.60X10rad(0.149°)
Moment of inertia	0.38kgcm
Natural frequency of rotor vibration	19.4kHz
Torsion constant	3.85x10Nm/rad
Load Resistance	>2000MΩ
Working voltage	DC 24V 0.2A
Current Consumption	<150mA
Operating Temp.	-10~50°C 0~85%RH
Safe Overload	200%
Cable	Ø5 X 3m