

Delta Transducers

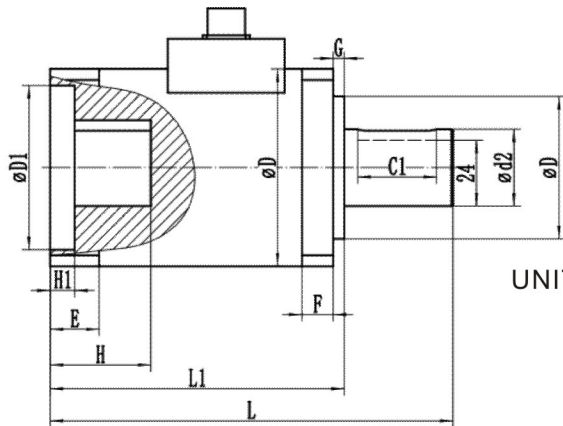
Model : ARI8-201D



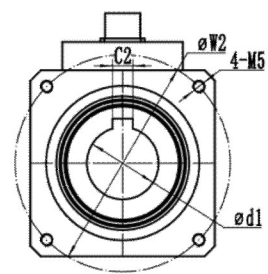
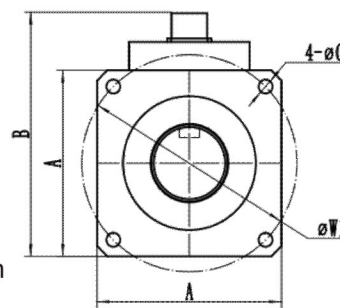
Features & Application

- ▲ Resistance strain is an integrated product composed of sensitive elements and integrated circuits.
- ▲ High precision, stable and reliable performance.
- ▲ High speed and long time operation.
- ▲ Output positive and reverse torque signal.
- ▲ Both ends are key connected.

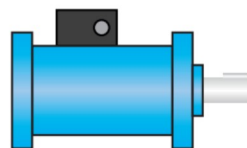
Mounting Dimension



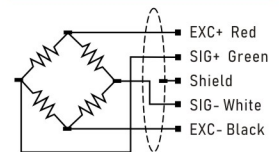
UNIT:mm



Load Direction



Wiring



CAP(N.m)	A	B	C	C1	C2	D	D1	d1	d2
0.1~100	62	73	5.5	6*22	5*28	62	50	16	18
200~500	72	94.5	5.5	8*28	8*28	72	60	28	28

E	F	G	H	H1	K	L	L1	M	W1	W2
18	11.5	4	37	9	42	140	108	M5	70	70
18	11.5	4	37	9	52	148	108	M5	84	84

Technical Parameters

Specifications	Technique
Capacity	0.1~100、200~500 N.m
Speed Signal	0~4000rpm
Speed Capacity	Pulse / turn mA、V
Zero Balance	±1%F.S.
Non-linearity	0.5% F.S.
Hysteresis	0.5% F.S.
Non-repeatability	0.2% F.S.
Creep (30min)	0.03% F.S.
Temp Effect On Output	0.03% F.S. / 10°C
Temp Effect On Zero	0.1% F.S. / 10°C
Response Frequency	10kHz
Load Resistance	≥5000MΩ / 100VDC
Working voltage	5~15V
Impedance	350 / 750±10Ω
Operating Temp.	-10~60°C
Safe Overload	150%
Maximum Overload	200%
Cable	Ø5 X 3m