

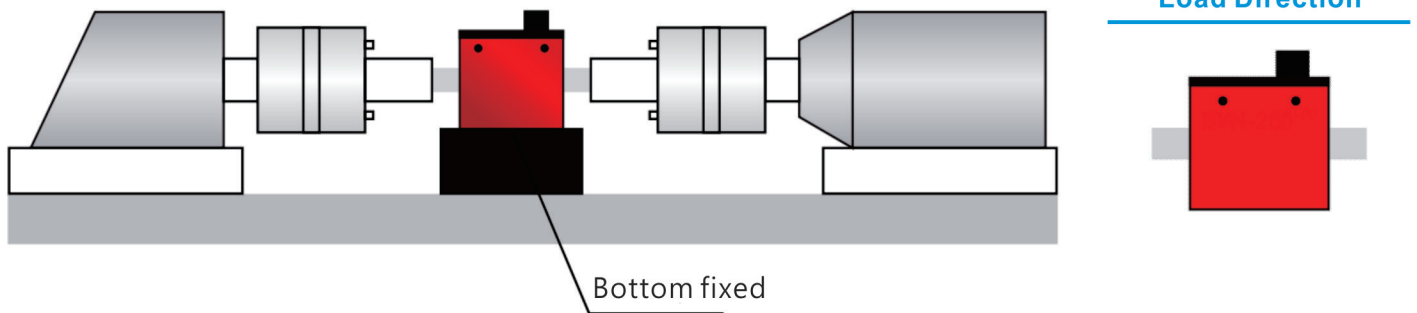
Delta Transducers

Model : ARI8-200



Features & Application

- ◆The current measured torque value and speed value are displayed in real time.
- ◆The current power value can be calculated directly.
- ◆Support Rs485 communication and active upload protocol.
- ◆The communication rate can reach 500 or 1000time per second.
- ◆The sensor supports simultaneous output of transmitting current and transmitting voltage.



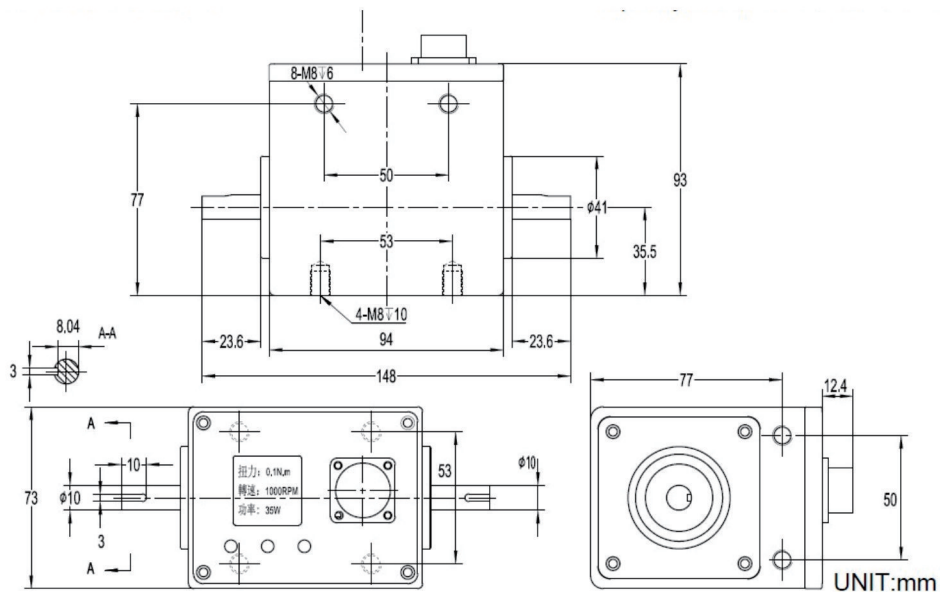
Technical Parameters

Specifications	Technique
Capacity	±10000N.m
Speed Signal	≤15000rpm
Zero Balance	±2%F.S.
Response Frequency	1kHz
Non-linearity	0.5% F.S.
Hysteresis	0.5% F.S.
Non-repeatability	0.2% F.S.
Creep (30min)	0.03% F.S.
Maximum torsion angle	2.60X10rad(0.149°)
Moment of inertia	0.38kgcm
Natural frequency of rotor vibration	19.4kHz
Torsion constant	3.85x10Nm/rad
Safe Overload	200%
Operating Temp.	-10~50°C 0~85%RH
Temp. Shift Zero	0.01% F.S. / 10 °C
Temp. Shift Span	0.01% F.S. / 10°C
Insulation Resistance	>2000MΩ
Range Excitation	5~10V
Cable	Ø5 X 3m

Mounting Dimension

MODEL:ARI8-200-10 Series

CAP(N.m):0.1、0.3、0.5、1、2、5

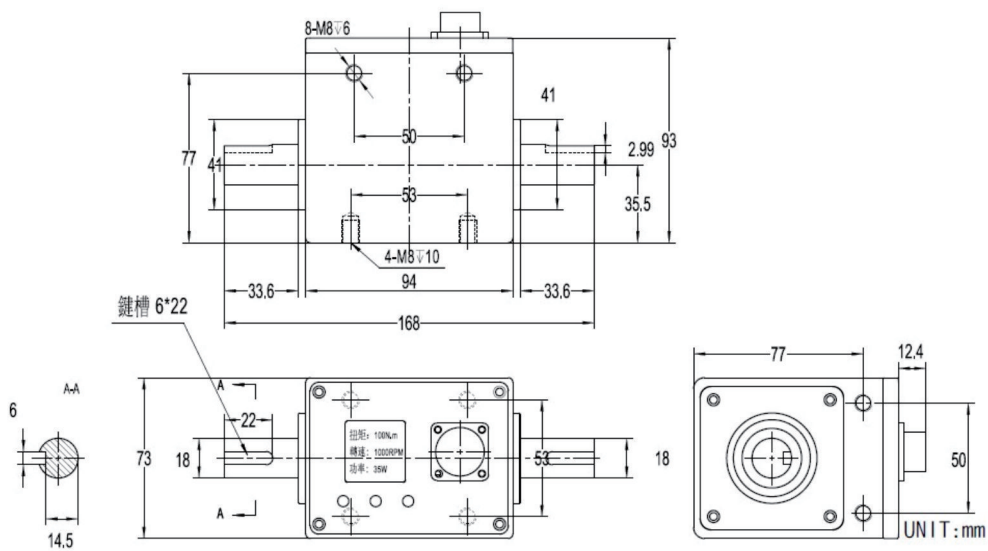


MODEL:ARI8-200-10-

CAP	0.1	0.3	0.5	1	2	5
-----	-----	-----	-----	---	---	---

MODEL:ARI8-200-18 Series

CAP(N.m):10、20、30、50、100

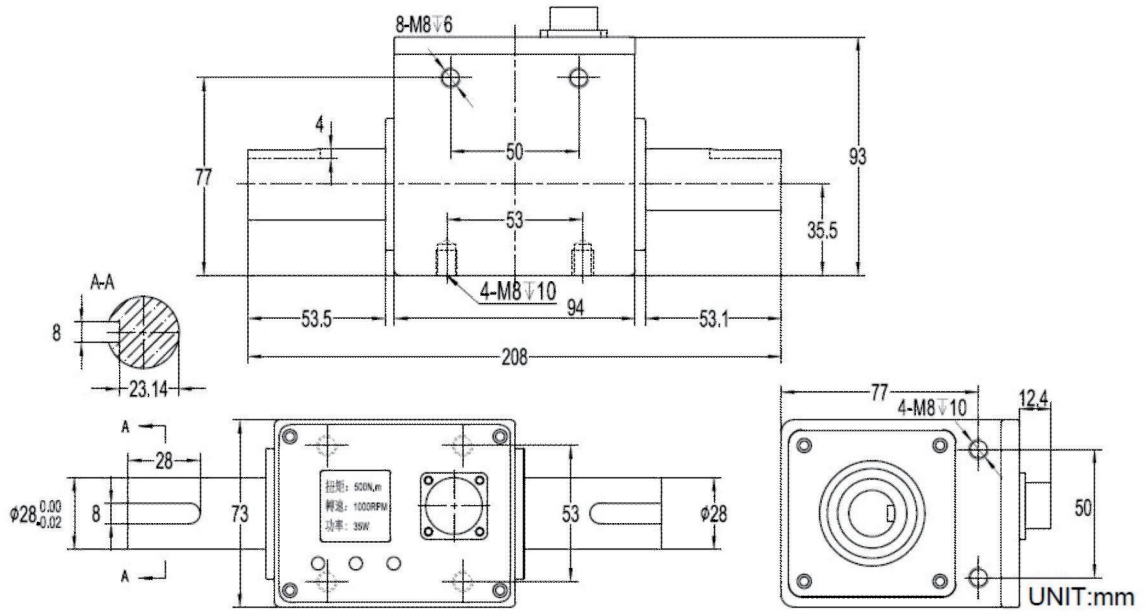


MODEL:ARI8-200-18-

CAP	10	20	30	50	100
-----	----	----	----	----	-----

MODEL:ARI8-200-28 Series

CAP(N.m):200、300

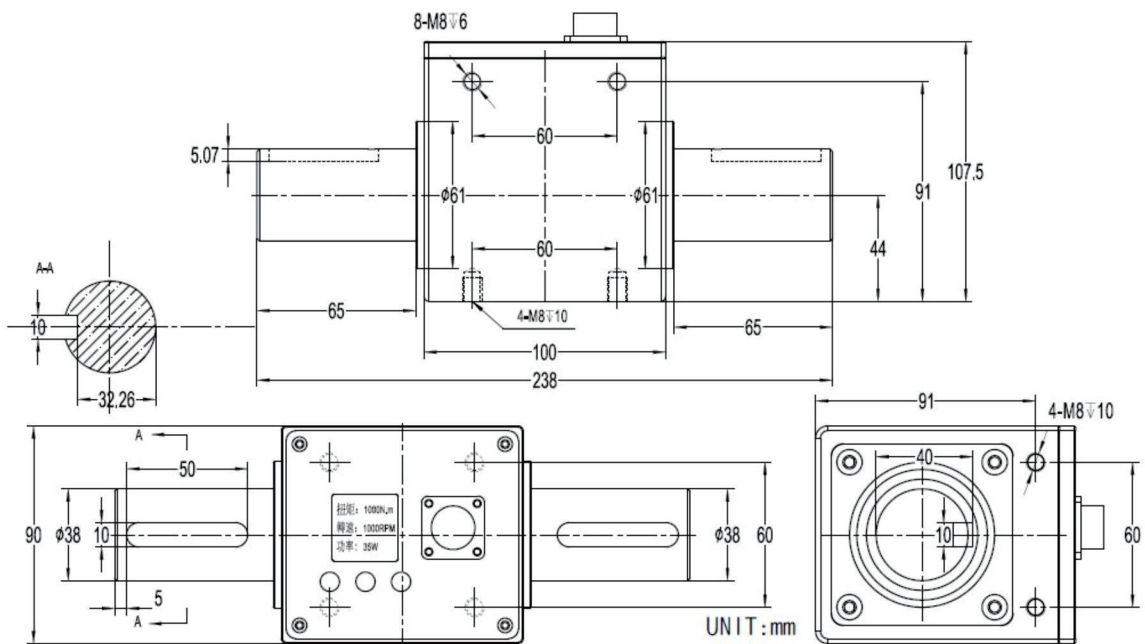


MODEL:ARI8-200-28-

CAP	200	300
-----	-----	-----

MODEL:ARI8-200-38 Series

CAP(N.m):500、600、800

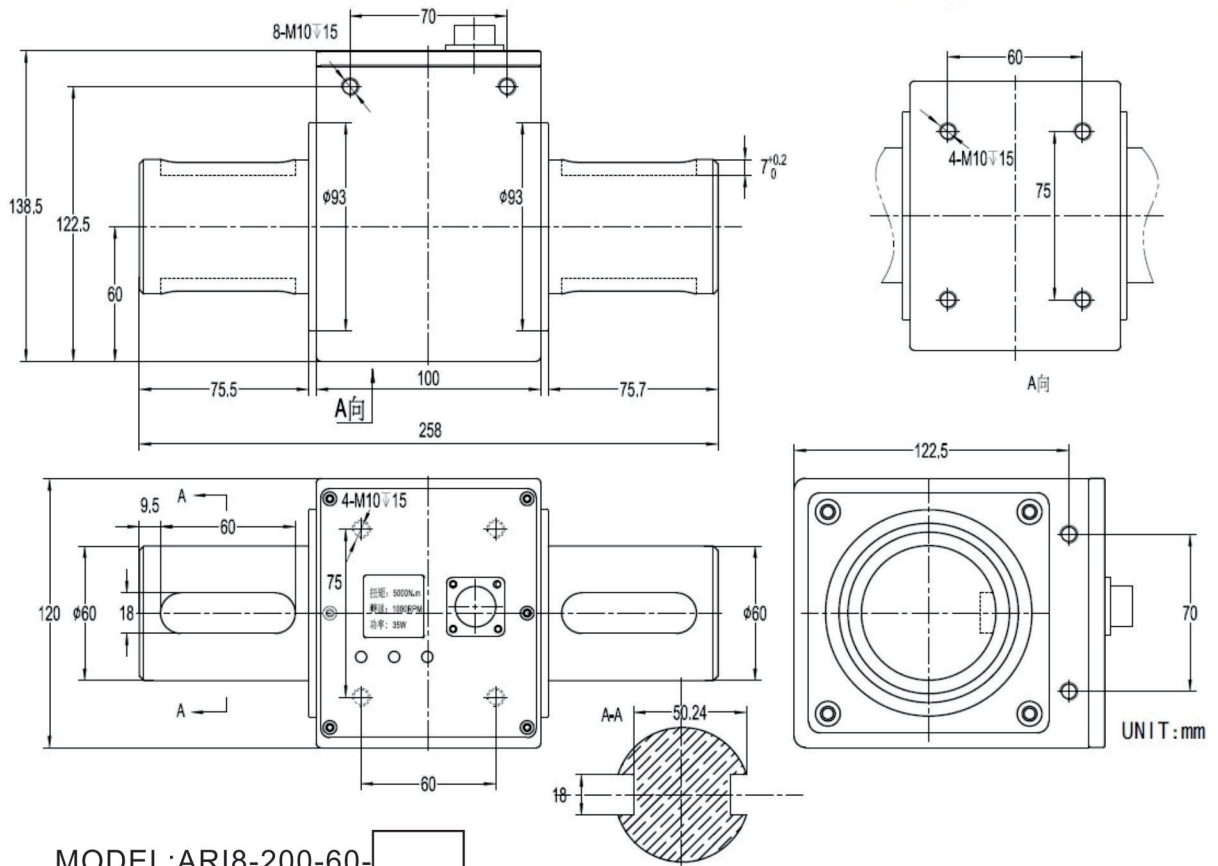


MODEL:ARI8-200-38-

CAP	500	600	800
-----	-----	-----	-----

MODEL:ARI8-200-60 Series

CAP(N.m):1000、2000、3000、5000

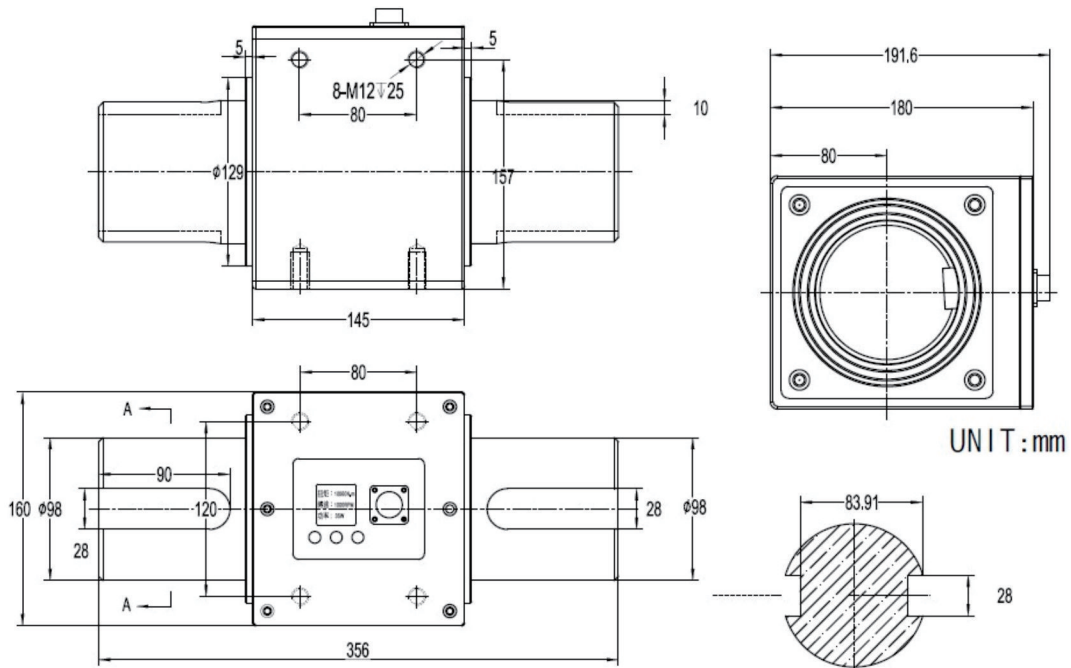


MODEL:ARI8-200-60-

CAP	1000	2000	3000	5000
-----	------	------	------	------

MODEL:ARI8-200-98 Series

CAP(N.m):10000、20000



MODEL:ARI8-200-98-

CAP	10000	20000
-----	-------	-------