

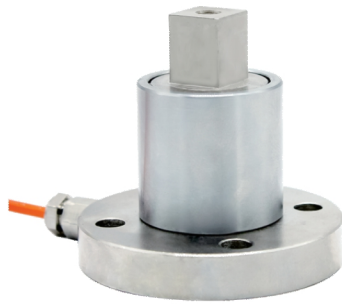
Delta Transducers

Model : ARI8-103

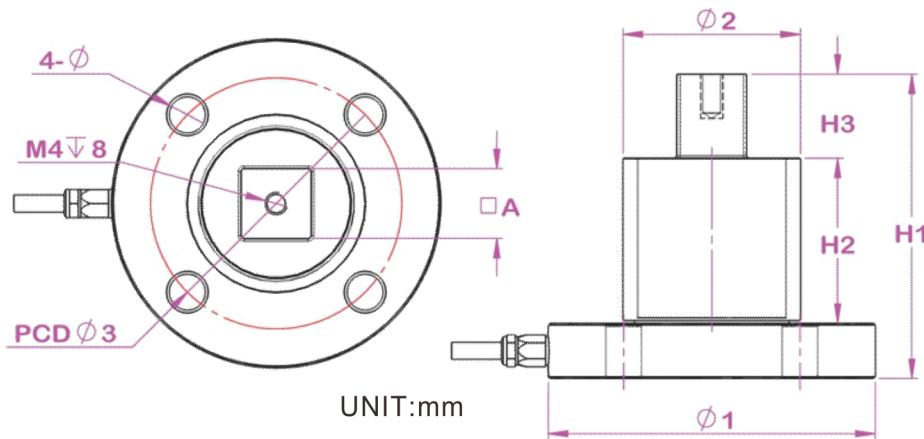
Features & Application

Compact structure, easy to install, protection grade:IP65, used for torque measurement of static and non continuous rotation.

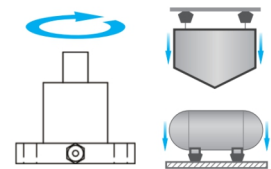
It is widely used in static torque testing system of testing machine, torque wrench, steering machine, electric actuator, valve and transmission.



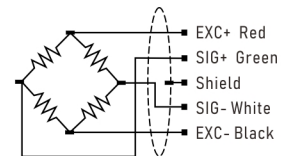
Mounting Dimension



Load Direction



Wiring



CAP(N.m)	A	H1	H2	H3	φ1	φ2	φ3	φ
20,50,100,200	12.5	55	30	15	59	32	45	6.5
300,500,800	25.4	75	40	24	68	40	55	8.5
1000,2000,3000	25.4	85	44	24	98	56	80	13

Technical Parameters

Specifications	Technique
Capacity	20,50,100,200,300,500,800,1000,2000,3000 N.m
Rated Output	1.0~2.0 mV/V
Zero Balance	±2%F.S.
Response Frequency	10kHz
Non-linearity	0.3% F.S.
Hysteresis	0.1% F.S.
Non-repeatability	0.1% F.S.
Creep (30min)	0.1% F.S.
Safe Overload	120%
Ultimate Overload	150%
Operating Temp.	-20~80°C
Temp. Shift Zero	0.05% F.S. / 10°C
Temp. Shift Span	0.05% F.S. / 10°C
Impedance	350 / 700 Ω
Range Excitation	5~15V
Insulation Resistance	>5000MΩ / 100VDC
Cable	Ø3 X 3m