

# Delta Transducers

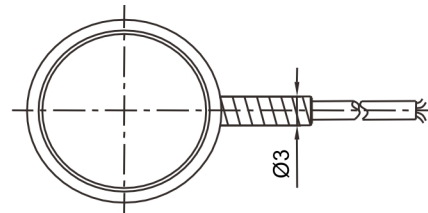
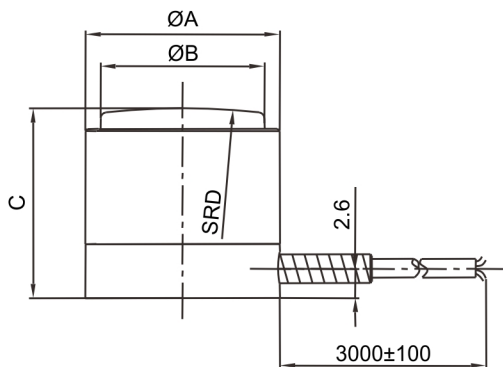
## Model : ARI771



## Features & Application

Small overall dimensions, range is big, small deformation, sensor special stainless steel materials. Apply to all sorts of small space in a wide range of load, are widely used in industry, research and development, manufacturing automation, etc. Measurement and control.

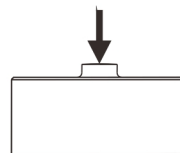
## Mounting Dimension



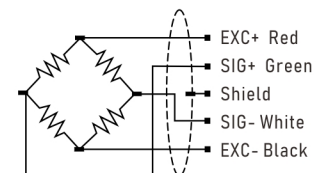
UNIT:mm

CAP(kN)	A	B	C	D
10,20	15.9	13.4	16.5	100
50,75	22.4	20.4	22.4	100
100,150	31.8	28.9	28.7	125
200,300	40	37	35	150

## Load Direction



## Wiring



## Technical Parameters

Specifications	Technique
Rated load	10, 20, 50, 75, 100, 150, 200, 300 KN
Comprehensive error	≤±0.5%
Non-linearity	0.5%
Rated output	1.0 / 2.0±10% mV/V
Creep	±0.5% F.S. / 30min.
Zero balance	±2.0% F.S.
Input resistance	380±20Ω
Output resistance	350±10Ω
Insulation resistance	≥5000MΩ / 100VDC
Temp.effect on span	±0.05% F.S. / 10°C
Temp.effect on zero	±0.05% F.S. / 10°C
Compensated temp range	-10~60°C
Use temp range	-20~80°C
Excitation voltage	5~15V
Safe overload	200% F.S.
Ultimate overload	300% F.S.
Defend grade	IP65