

# Delta Transducers

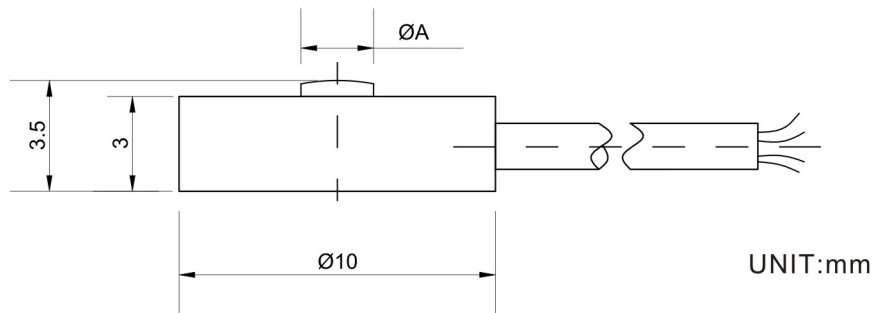
## Model : ARI760F



## Features & Application

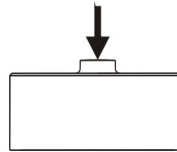
Sensors use special material of the micro sensor.  
Applicable to various small space load, are widely used in the industrial development in the areas of measurement and control.

### Mounting Dimension

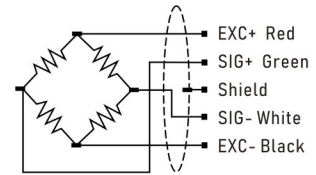


CAP(kg)	ØA
2,5,10,20	2
30,50,100	2.3

### Load Direction



### Wiring



### Technical Parameters

Specifications	Technique
Rated load	2, 5, 10, 20, 50, 100 kg
Comprehensive error	$\leq \pm 1\%$
Non-linearity	1%
Rated output	1.0 / $2.0 \pm 10\%$ mV/V
Creep	$\pm 0.25\%$ F.S. / 30min.
Zero balance	$\pm 2.0\%$ F.S.
Input resistance	$350 \pm 5 / 800 \sim 1100 \Omega$
Output resistance	$350 \pm 3 / 800 \sim 1100 \Omega$
Insulation resistance	$\geq 5000 M\Omega / 100VDC$
Temp.effect on span	$\pm 0.25\%$ F.S. / $10^\circ C$
Temp.effect on zero	$\pm 0.25\%$ F.S. / $10^\circ C$
Compensated temp range	$-10 \sim -60^\circ C / -20 \sim 120^\circ C$
Use temp range	$-20 \sim 80^\circ C / -40 \sim 160^\circ C$
Excitation voltage	5~10V
Safe overload	120% F.S.
Ultimate overload	150% F.S.
Defend grade	IP66