

Delta Transducers

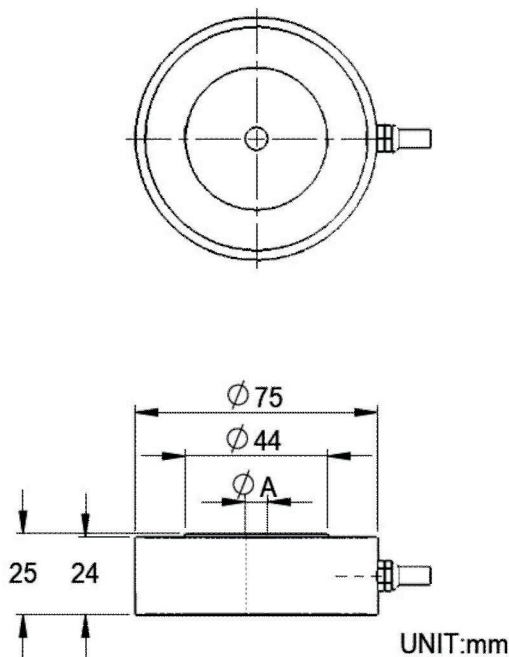
Model : ARI743



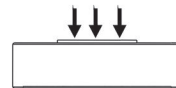
Features & Application

Special stainless steel material, high dynamic response frequency. Apply to the car being connected, automated assembly, 3 c product testing, new energy products assembly, medical detection, robot field, die assembly and other industrial test, measurement and control system.

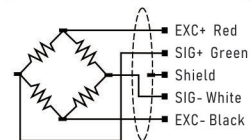
Mounting Dimension



Load Direction



Wiring



量 程 (kN)	10 20 50 100 200
φA	7-30 可客製化

Technical Parameters

Specifications	Technique
Rated load	10, 20,50,100,200 kN
Rated Output	1.0+10% mV/V
Zero balance	±2.0% F.S.
Non-linearity	0.3% F.S.
Hysteresis	0.1% F.S.
Creep(30min)	0.1%F.S..
Temp.effect on output	0.1%F.S. / 10°C
Temp.effect on zero	0.1%F.S. / 10°C
Impedance	700Ω
Insulation resistance	≥5000MΩ / 100VDC
Excitasion voltage	5 ~ 15V
Operating temp range	-20~80°C
Safe overload	120%F.S.
Maximum overload	200%F.S.
Cable specifications	φ5x3