

Delta Transducers

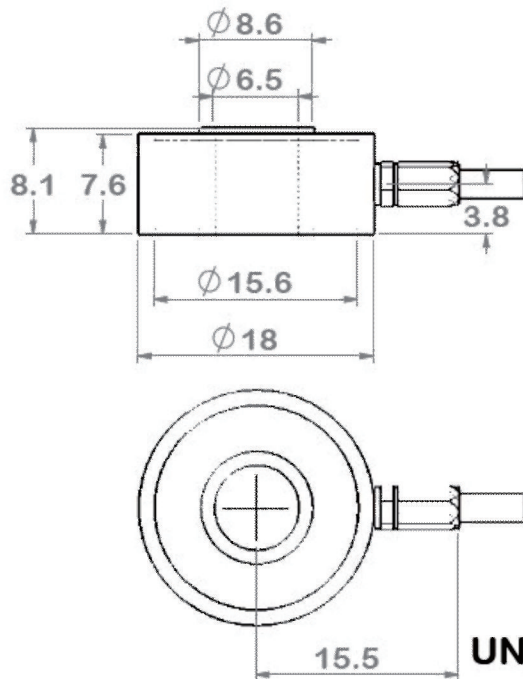
Model : ARI740



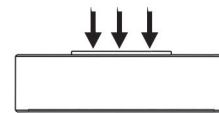
Features & Application

Height is low, and the deformation is small, small overall dimensions, circular design, stainless steel material. The dynamic response frequency is high. Applicable to steam, pressure equipment, automated assembly, 3 c product testing, new energy products assembly, medical testing, the robot industry.

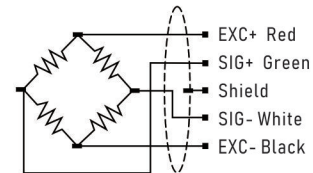
Mounting Dimension



Load Direction



Wiring



量程(kg) 5 10 20 30 50 100

UNIT:mm

Technical Parameters

Specifications	Technique
Rated load	5,10,20,30,50,100 kg
Rated Output	2.0+10% mV/V
Zero balance	±2.0% F.S.
Non-linearity	0.5% F.S.
Hysteresis	0.1% F.S.
Creep(30min)	0.1%F.S..
Temp.effect on output	0.1%F.S. / 10°C
Temp.effect on zero	0.1%F.S. / 10°C
Impedance	350Ω
Insulation resistance	≥5000MΩ / 100VDC
Excitasion voltage	5 ~ 15V
Operating temp range	-20~80°C
Safe overload	120%F.S.
Maximum overload	150%F.S.
Cable specifications	Φ2x2m