

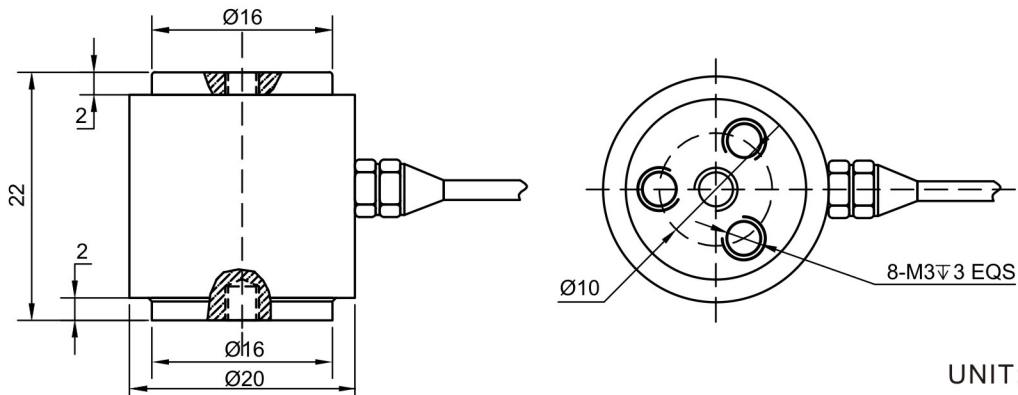
Model : ARI671



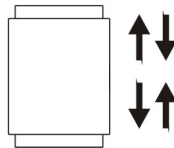
Features & Application

Micro sensor, low height, small deformation, stainless steel materials, tension and compression bidirectional, dynamic response frequency is high, Prevent overload, it is mainly used for pushing tension meter, injection molding and mold industry, robot grab, pumped, Pull pressure detection and control, car assembly force value, etc.

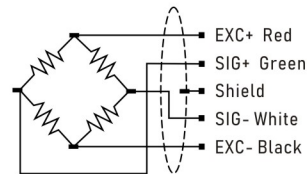
Mounting Dimension



Load Direction



Wiring



Technical Parameters

Specifications	Technique
Rated load	20,50,100,200,300,500,1000,2000 N
Comprehensive error	≤±0.1%
Non-linearity	0.1%
Rated output	1.0 / 2.0±10% mV/V
Creep	±0.1% F.S. / 30min.
Zero balance	±2.0% F.S.
Input resistance	650 / 350±10Ω
Output resistance	650 / 350±10Ω
Insulation resistance	≥5000MΩ / 100VDC
Temp.effect on span	±0.05% F.S. / 10°C
Temp.effect on zero	±0.05% F.S. / 10°C
Compensated temp range	-10~60°C
Use temp range	-20~80°C
Excitation voltage	5~12V
Safe overload	150% F.S.
Ultimate overload	200% F.S.
Defend grade	IP66