

Delta Transducers

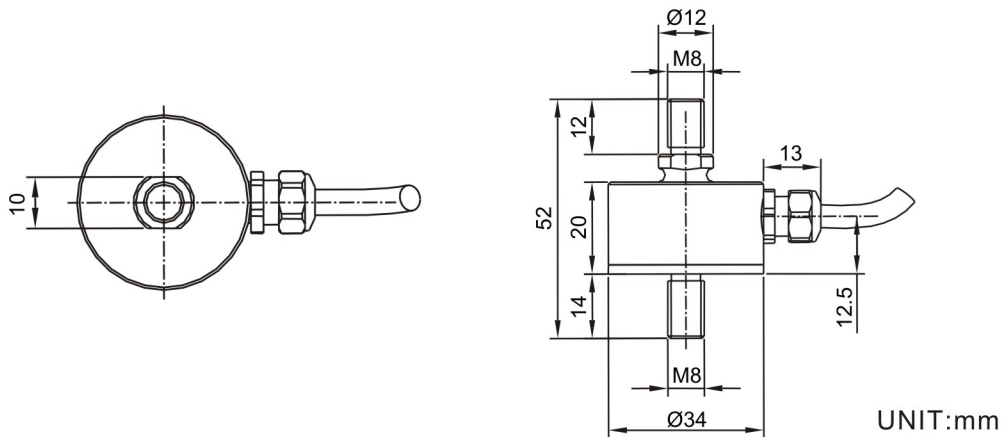
Model : ARI650B



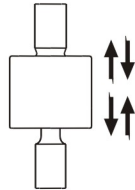
Features & Application

Micro sensor, high low, small deformation, dynamic day should be of high frequency of stainless steel materials, tension and compression bidirectional, mainly used in automobile, 3 c product testing, installation of new energy assembly, medical testing, robotics, and mold assembly automation.

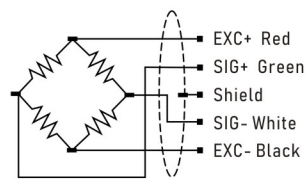
Mounting Dimension



Load Direction



Wiring



Technical Parameters

Specifications	Technique
Rated load	0.5 , 1 , 1.5 , 2 , 3 , 5 KN
Comprehensive error	≤±0.2%
Non-linearity	0.2%
Rated output	1.5±20% <i>mV/V</i>
Creep	±0.1% <i>F.S.</i> / 30min.
Zero balance	±2.0% <i>F.S.</i>
Input resistance	700±10Ω
Output resistance	700±10Ω
Insulation resistance	≥5000MΩ / 100VDC
Temp.effect on span	±0.05% <i>F.S.</i> / 10°C
Temp.effect on zero	±0.05% <i>F.S.</i> / 10°C
Compensated temp range	-10~60°C
Use temp range	-20~80°C
Excitation voltage	5~15V
Safe overload	150% <i>F.S.</i>
Ultimate overload	200% <i>F.S.</i>
Defend grade	IP66