

Delta Transducers

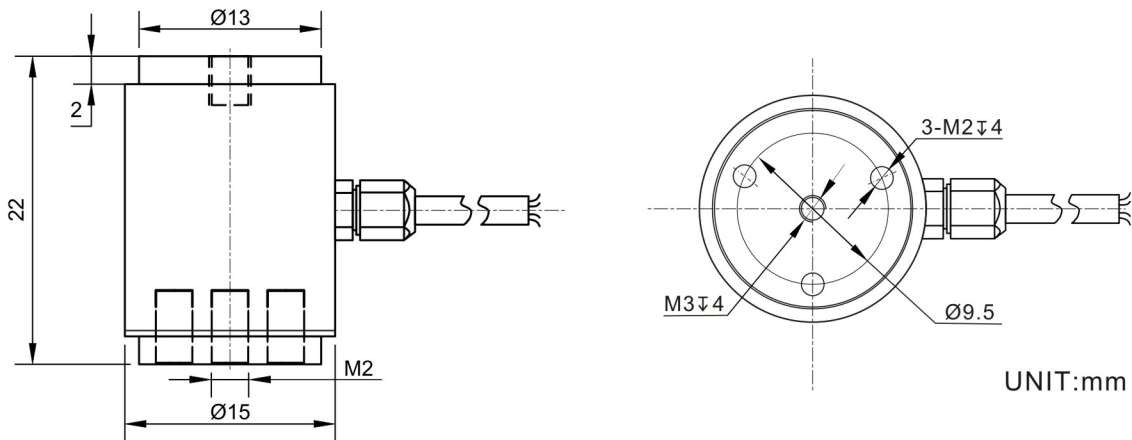
Model : ARI641



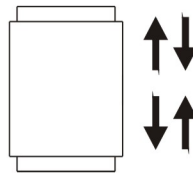
Features & Application

Automobile press pting, automatic assembly, 3C prouct testing, new energy product assembly, medical testing, automation equipment and testing pelds.

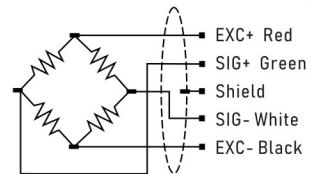
Mounting Dimension



Load Direction



Wiring



Technical Parameters

Specifications	Technique
Rated load	10,15,20,30,50 kg
Hysteresis	0.1% F.S.
Non-linearity	0.2% F.S.
Rated output	2.0±10% mV/V
Creep	±0.1% F.S. / 30min.
Zero balance	±2% F.S.
Impedance	350Ω
Insulation resistance	≥5000MΩ / 100VDC
Temp.effect on span	±0.1% F.S. / 10°C
Temp.effect on zero	±0.1% F.S. / 10°C
Use temp range	-20~80°C
Excitasion voltage	5~10V
Safe overload	120%
Ultimate overload	150%
Response frequency	10kHz