

Delta Transducers

Model : ARI641A



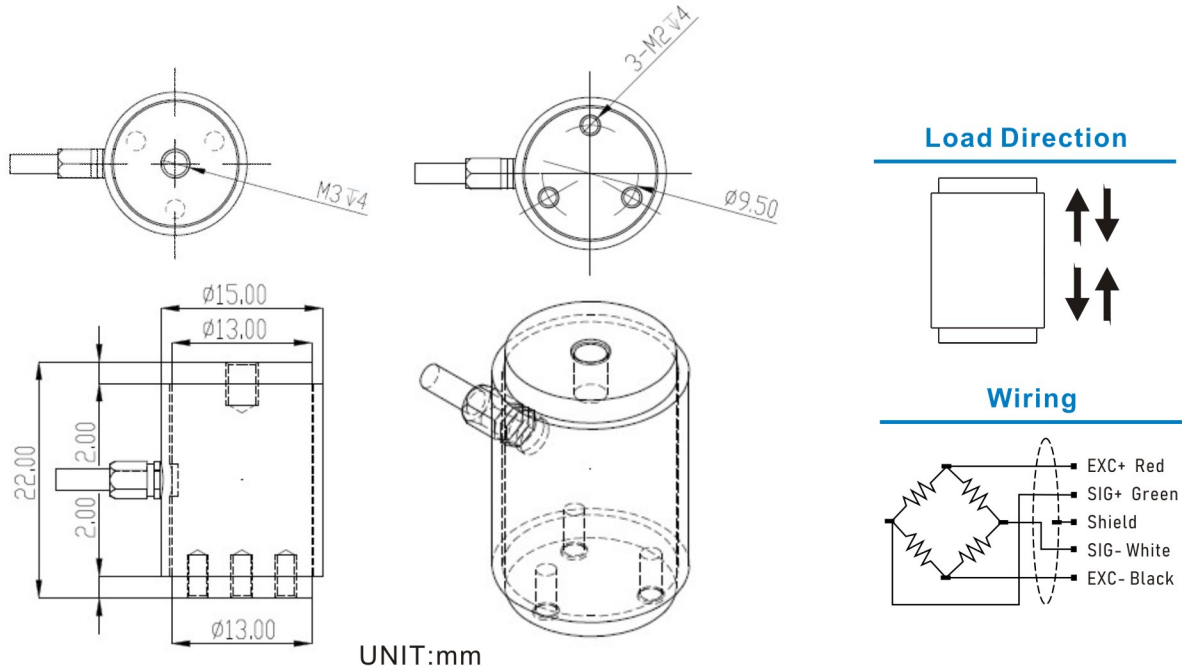
Features & Application

The micro sensor, low altitude, the deformation is small

Two-way cylindrical shape, stainless steel materials, tension and compression.

Mainly for the push, pull, all kinds of industrial weighing system and so on.

Mounting Dimension



UNIT:mm

Technical Parameters

Specifications	Technique
Rated load	10 , 15 , 20 , 30 , 50 kg
Comprehensive error	$\leq \pm 0.1\%$
Non-linearity	0.1%
Rated output	1.0 / $2.0 \pm 10\%$ mV/V
Creep	$\pm 0.1\%$ F.S. / 30min.
Zero balance	$\pm 2.0\%$ F.S.
Input resistance	$350 \pm 30\Omega$
Output resistance	$350 \pm 10\Omega$
Insulation resistance	$\geq 5000M\Omega$ / 100VDC
Temp.effect on span	$\pm 0.05\%$ F.S. / 10°C
Temp.effect on zero	$\pm 0.05\%$ F.S. / 10°C
Compensated temp range	$-10 \sim 40^\circ\text{C}$
Use temp range	$-20 \sim 60^\circ\text{C}$
Excitasion voltage	5~12V
Safe overload	150% F.S.
Ultimate overload	200% F.S.
Defend grade	IP66