

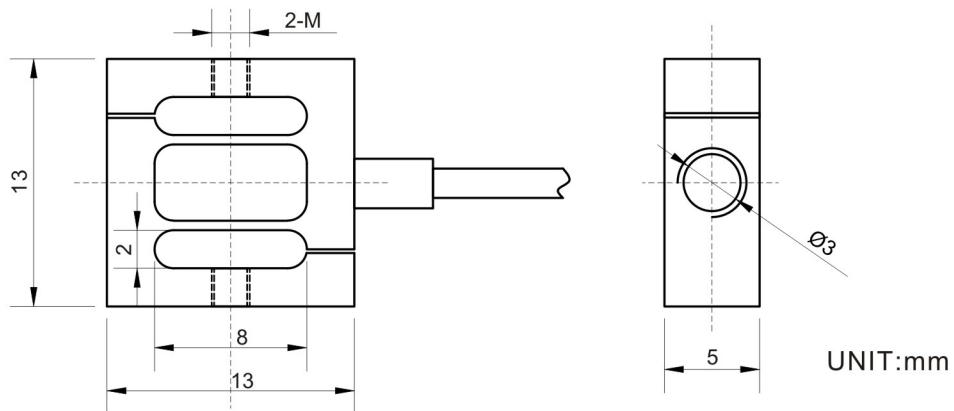
Model : ARI630B



Features & Application

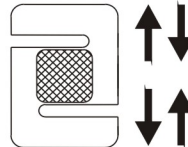
Widely used in small space tension test, tension test, etc. Various kinds of industrial automation. equipment., Keyboard, button load, etc, Measurement precision is better than that of soil by 0.1% Long-term stability is good.

Mounting Dimension

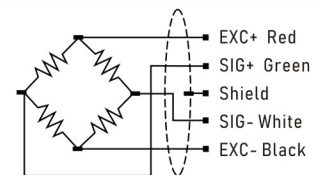


CAP(kg)	M
0.5,1,2,5,10	2

Load Direction



Wiring



Technical Parameters

Specifications	Technique
Rated load	0.5、1、2、5、10 kg
Comprehensive error	$\leq \pm 0.15\%$
Non-linearity	0.15%
Rated output	1.0 / 2.0 $\pm 10\%$ mV/V
Creep	$\pm 0.5\%$ F.S. / 30min.
Zero balance	$\pm 2.0\%$ F.S.
Input resistance	350 $\pm 30\Omega$
Output resistance	350 $\pm 5\Omega$
Insulation resistance	$\geq 5000M\Omega$ / 100VDC
Temp.effect on span	$\pm 0.05\%$ F.S. / 10°C
Temp.effect on zero	$\pm 0.05\%$ F.S. / 10°C
Compensated temp range	-10~60°C
Use temp range	-20~80°C
Excitasion voltage	5~12V
Safe overload	120% F.S.
Ultimate overload	150% F.S.
Defend grade	IP66