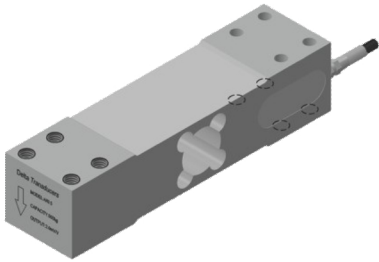


Delta Transducers

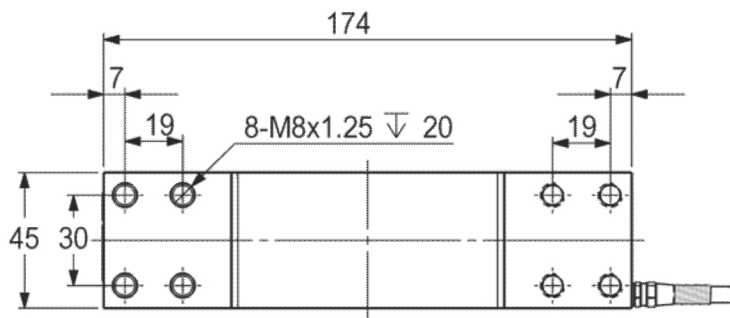
Model : ARI5

Features & Application

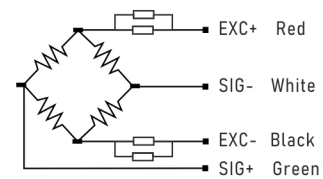


Small overall dimensions, range is big, small deformation, sensor special alloy aluminum materials. Apply to all sorts of small space in a wide range of load, are widely used in micro force test equipment etc. Measurement and control.

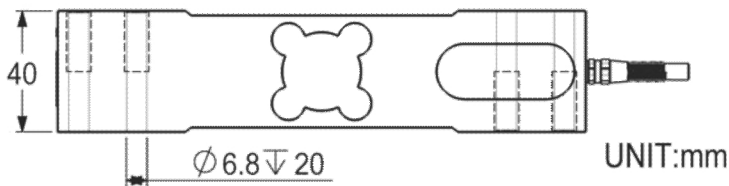
Mounting Dimension



Wiring



量程Capacity: 100/200/300/500/800kg



Technical Parameters

Specifications	Technique
Rated load	100 , 200 , 300 , 500 , 800 kg
Rated output	2.0mV/V±5%
Zero balance	±0.0200mV/V
Non-linearity	0.02%F.S.
Hysteresis	0.02%F.S.
Repeatability	0.02%F.S.
Creep (30min.)	0.02%F.S.
Safe overload	150%F.S.
Ultimate overload	200%F.S.
Temp.effect on span	0.002 F.S. / °C
Temp.effect on zero	0.003 F.S. / °C
Input resistance	410±15Ω
Output resistance	350±5Ω
Insulation resistance	≥5000MΩ / 50VDC
Compensated temp range	-10~40°C
Use temp range	-20~60°C
Excitation voltage	5~12VDC
Cable Length	Φ5x2m