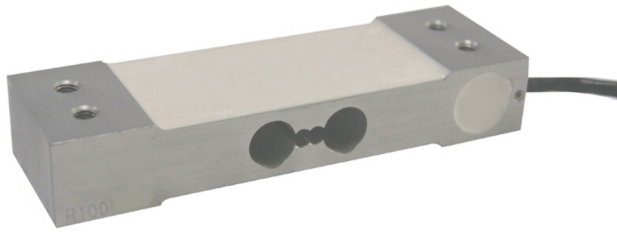


# Delta Transducers

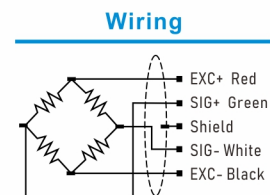
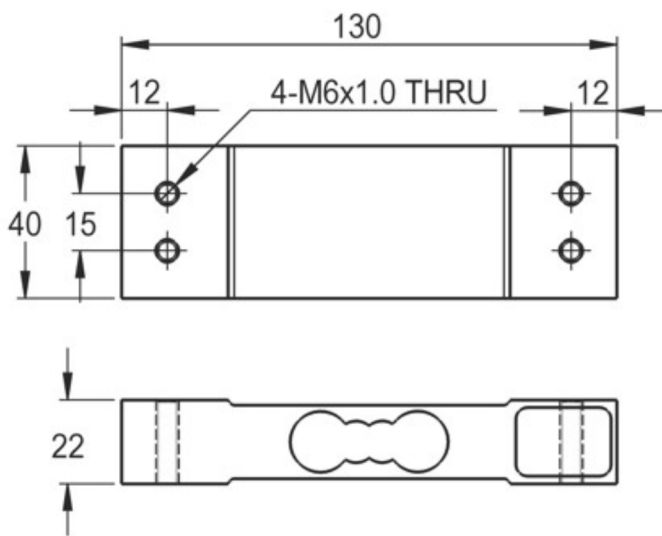
Model : ARI1-1

## Features & Application

Pricing Scale, Counting Scale,  
Weighing Scale, Platform Scale



### Mounting Dimension



量程Capacity:30/60/100/200kg

UNIT:mm

### Technical Parameters

Specifications	Technique
Rated load	30、 60、 100、 200 kg
Rated Output	2.0 mV/V $\pm$ 10%
Zero balance	$\pm$ 0.0200mV/V
Non-linearity	0.017%R.O.
Hysteresis	0.017%R.O.
Repeatability	0.017%R.O.
Creep (30mins)	0.017%R.O.
Input impedance	410 $\pm$ 15 $\Omega$
Output impedance	350 $\pm$ 5 $\Omega$
Insulation resistance	$\geq$ 5000M $\Omega$ / 50VDC
Temp.effect on output	0.0015%R.O./ $^{\circ}$ C
Temp.effect on zero	0.002%R.O./ $^{\circ}$ C
Operating temp. range	-20~60 $^{\circ}$ C
Recommended Excitasion	5~12VDC
Safe overload	150%F.S.
Ultimate overload	200%F.S.
Cable	$\phi$ 4x0.5m