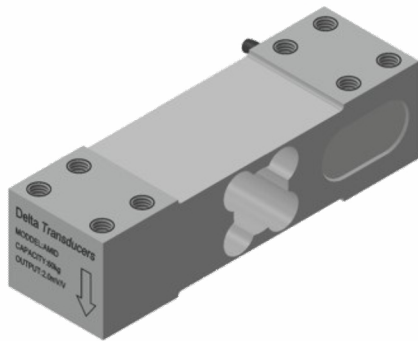


Delta Transducers

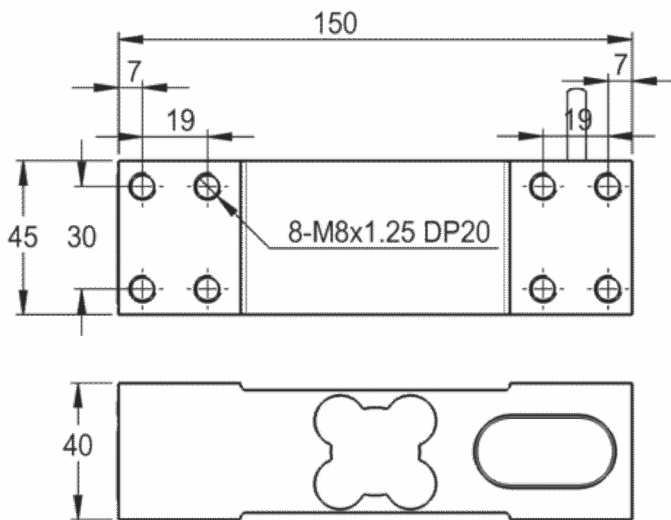
Model : AMID



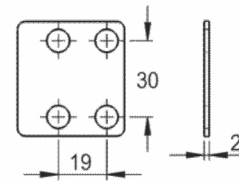
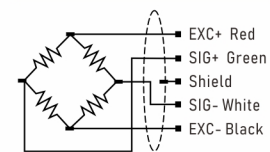
Features & Application

Usage & Features: Pricing Scale、 Counting Scale、 Weighing Scale、 Platform Scale

Mounting Dimension



Wiring



垫片 Load Cell

UNIT:mm 量程Capacity:60 / 100 / 200 / 350 / 500 / 800kg

Technical Parameters

Specifications	Technique
Rated load	60、100、200、350、500、800 kg
Rated Output	2.0 mV/V \pm 5%
Zero balance	\pm 0.0200mV/V
Non-linearity	0.017%R.O.
Hysteresis	0.017%R.O.
Repeatability	0.017%R.O.
Creep (30mins)	0.017%R.O.
Safe overload	150% R.O.
Ultimate overload	200% R.O.
Temp.effect on output	0.0015%R.O./ $^{\circ}$ C
Temp.effect on zero	0.002%R.O./ $^{\circ}$ C
Input impedance	410 \pm 15 Ω
Output impedance	350 \pm 5 Ω
Insulation resistance	\geq 5000M Ω / 50VDC
Recommended Excitation	5~12VDC
Maximum excitation	15VDC
Operating temperature range	-20~60 $^{\circ}$ C
Cable	ϕ 5x2m