

# MULTI-UNITS WEIGHING DATA PROCESSOR



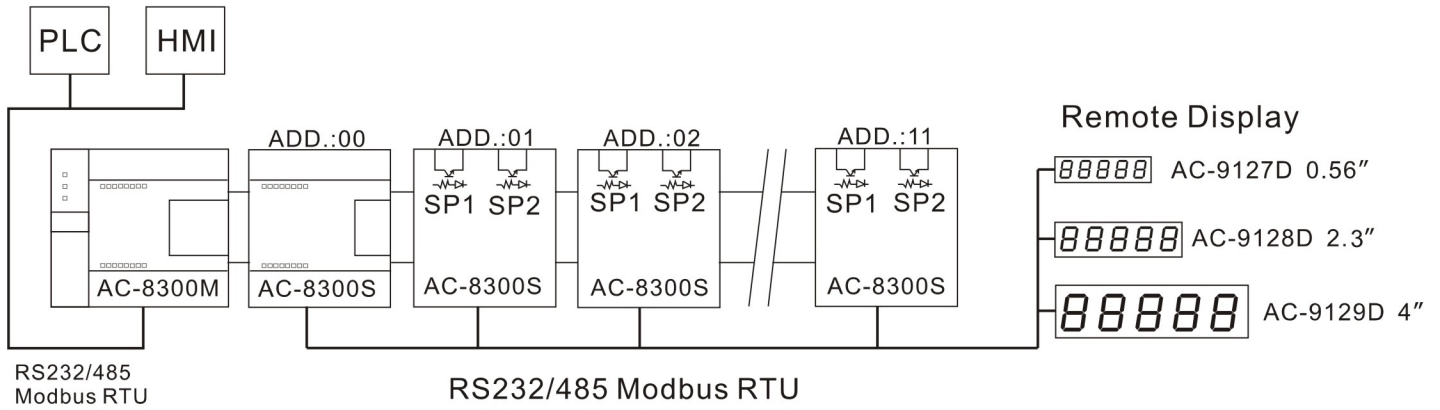
**AC-8300M  
(Master)**



**AC-8300S  
(Slave)**



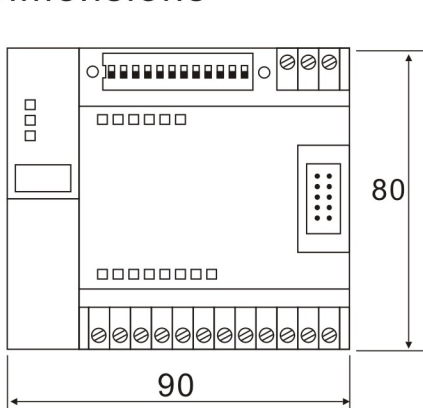
## Application



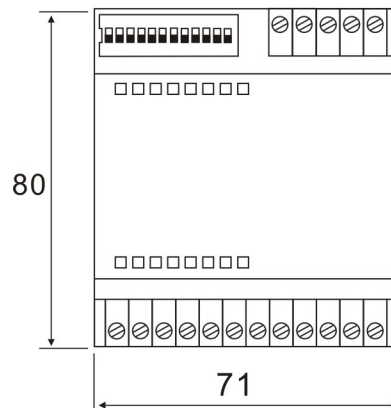
## Specifications

Specification	Model	AC-8300M	AC-8300S
Load Cell Excitation		x	150mA(Max) 4X350 ohm Load Cell
A/D Conversion Rate		x	100 times/sec
Internal Resolution		x	1/520,000
Max.Display Resolution		x	1/100,000
Input Sensitivity		x	$\geq 0.125\mu\text{V/d}$
Internal Comm. Rate		40 times/Sec.	x
Input Range		x	-30.5 ~30.5mV
Zero Range		x	-30.5 ~30.5mV
Non-Linearity		x	0.005% F.S.
Comm. Port		RS232*1 RS485*1	RS232*1 RS485*1
Comm. Protocol		Modbus RTU	Modbus RTU
Relative Humidity		90% RH Max. (Non-Condensing)	90% RH Max. (Non-Condensing)
Operating Temperature		-5°C to +50°C	-5°C to +50°C
Installation Type		DIN Rails 35mm	DIN Rails 35mm
Output		x	2 Setpoint (Open-Collector)
Option		RS232/485 Select one	x
Power Requirments		DCV18 ~36 6 W	
Enclosure		ABS	
Dimension		90(W) X 96(H) X 63(D) mm	71.2(W) X 96(H) X 63(D)mm

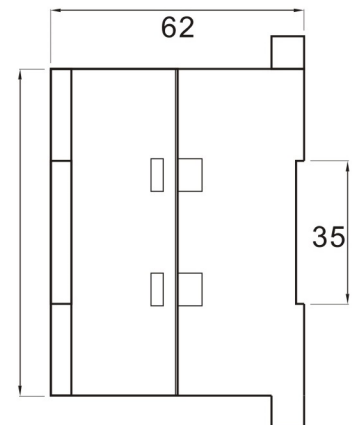
## Dimensions



AC-8300M  
Top View



AC-8300S  
Top View



AC-8300M & AC-8300S  
Side View

Unit:mm