

# AC-6200

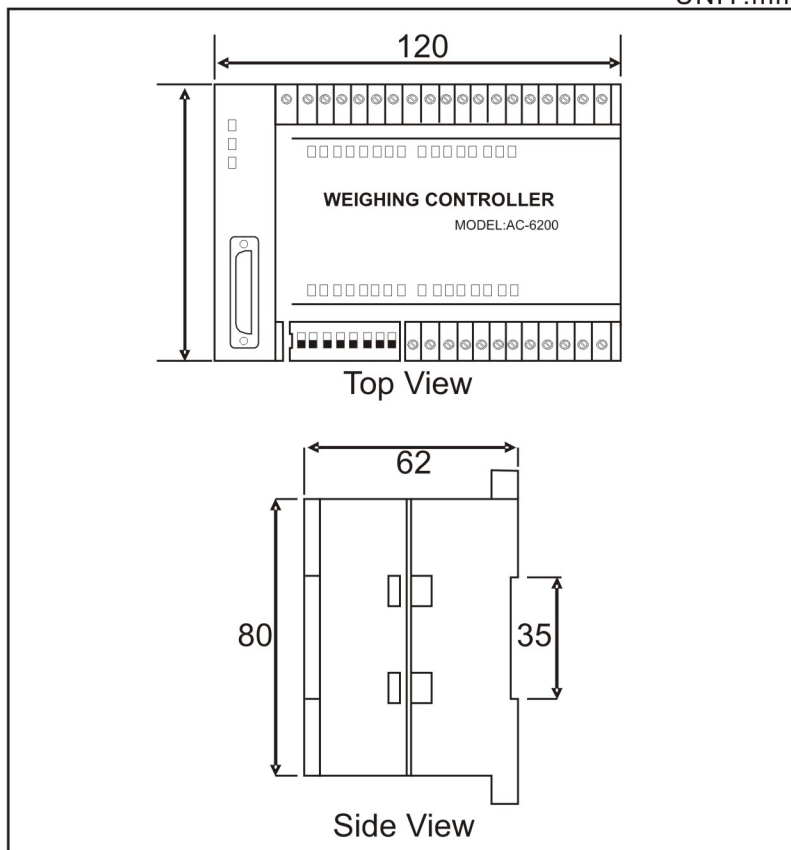
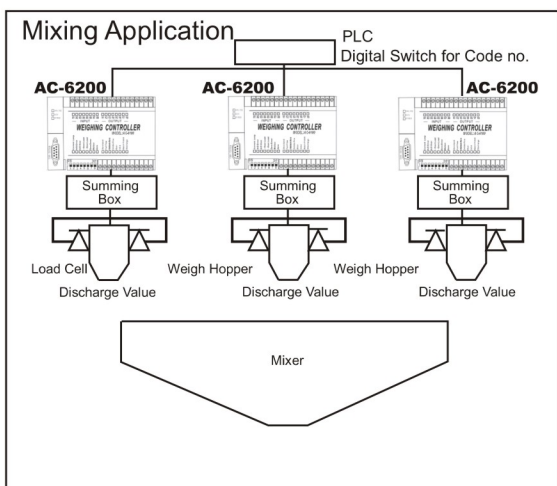
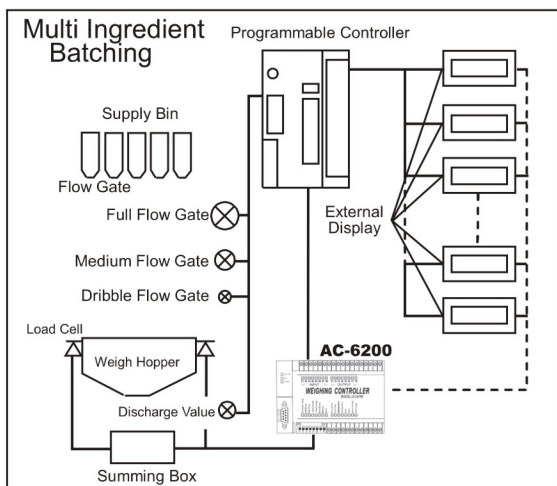
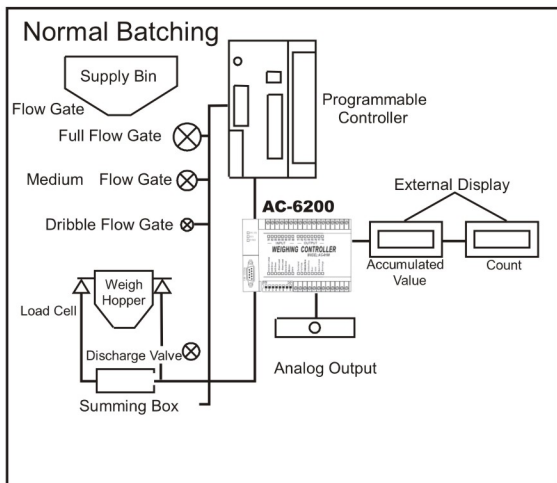
## WEIGHING BATCH CONTROLLER



**AC-6200** Digital weighing indicator of compact, High Quality, High Performance, Built in Serial Current Loop output & RS232/422/485 Modbus RTU. 8 Control Input & 8 Control output. Stores 100 data for raw materials & 100 data for recipe codes. Easy to operate the batch weighing functions. **AC-6200** Unrivalled for batching control application.

## DIMENSION

UNIT:mm



## SPECIFICATION

Power Requirement	DC18~36V
Power Consumption	8VA
Line Filter	Built-in
Load Cell Excitation	5VDC 114mA max. 4X350 ohm load cells
Input Sensitivity	0.2 $\mu$ V/d
Zero Adj. Range	0mV ~+19mV
Input Range	0mV ~+19mV
Max. Display Resolution	100,000 divisions
Internal Resolution	Max. 520,000 count
A/D conversion Rate	100 times/sec. Delta-sigma
Display Increment	1, 2, 5, 10, 20, 50/step
Operating Temperature	-5°C to +50°C
Relative Humidity	90% RH Max.(Non-Condensing)
Temp. Coefficient	Less than (0.005% of reading +0.3 digits) $^{\circ}$ C
Non-Linearity	$\pm$ 0.005% of full scale
I/O Port	8 Input, 8 Output
Comm. Port	RS232/485 Modbus RTU, Current Loop
Installing Type	DIN Rails 35mm
Net Weight	Approx 340g
Physical Dimensions	120(W) X 80 (H) X 63(D) mm