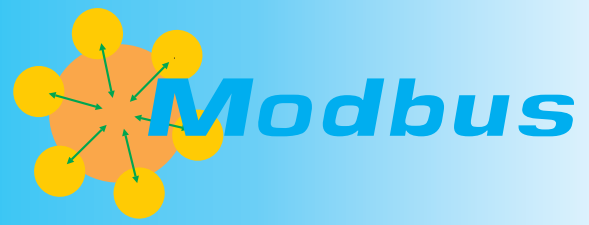
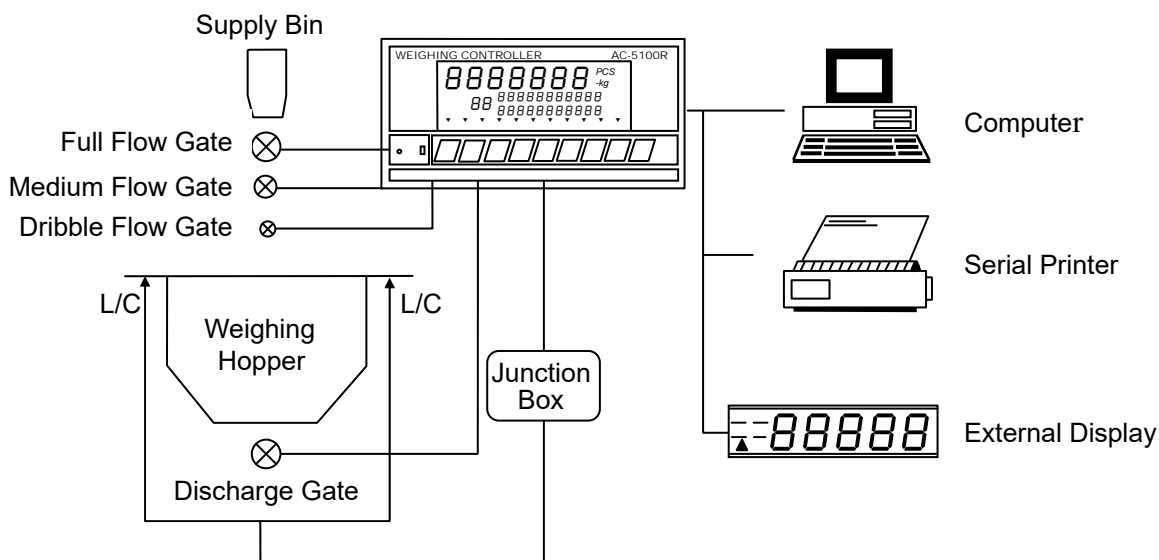


AC-5100R WEIGHING BATCH CONTROLLER



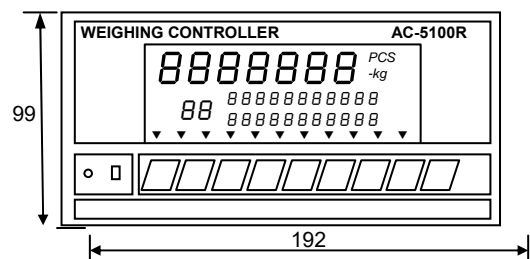
Application



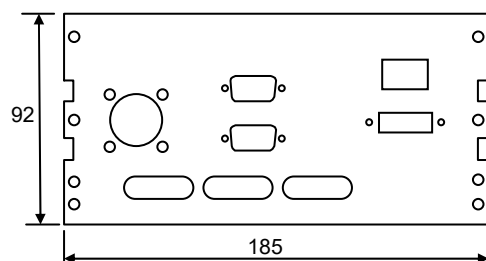
Specifications

Power Requirement	85~265VAC, 50/60Hz
Power Consumption	7.5W
Line Fiter	Built-in
Load Cell Excitation	5VDC 114mA max. 4X350 ohm load cells
Input Sensitivity	0.2μV/d
Zero Adj. Range	0mV ~+19mV
Input Range	0mV ~+19mV
Max. Display Resolution	100,000 divisions
Internal Resolution	Max. 520,000 count
A/D Conversion Rate	100 times/sec. Delta-sigma
Display Increment	1, 2, 5, 10, 20, 50/step
Operating Temperature	-5°C to +50°C
Relative Humidity	90% RH Max.(Non-Condensing)
Temp. Coefficient	Less than (0.005% of reading +0.3 digits)°C
Non-Linearity	±0.005% of full scale
I/O Port	8 (Photo Couple) Input / 8 (Relay) Output
Comm.Port	RS232/422/485 Modbus RTU, Current Loop
Installing Type	Panel Mounting
Net Weight	Approx 1.65kg
Physical Dimension	192(W) X 96 (H) X 180(D) mm
Panel Cutout Dimension	186(W) X 92(H)mm

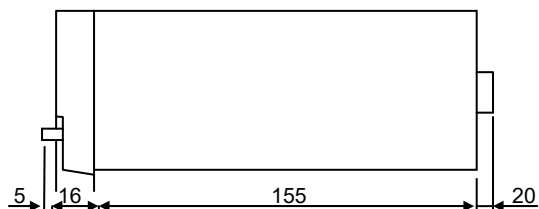
Dimension



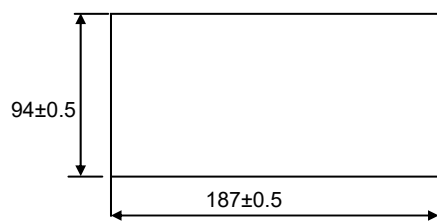
FRONT VIEW



REAR VIEW



SIDE VIEW



CUT-OUT

UNIT:mm