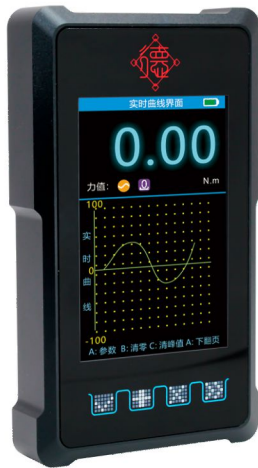


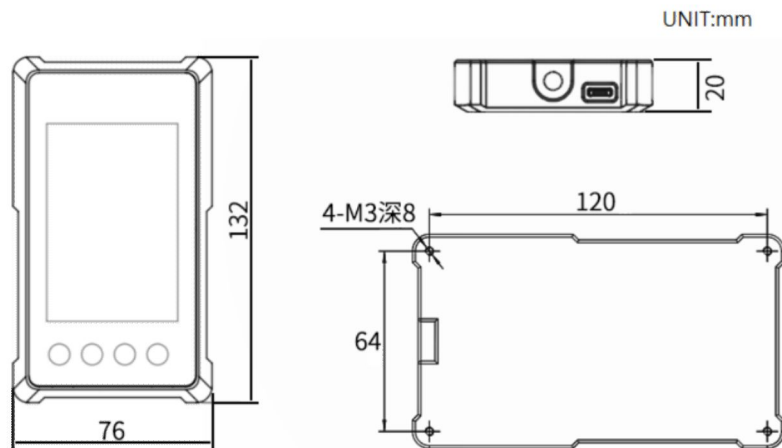
Model: AC-3600



Features & Application

1. Real-time curve and historical curve switching display, you can check the force of the working process.
2. Real-time and automatic acquisition of peak and valley values of the device, and analysis of sensor status
3. Parameter backup and factory reset
4. No weight calibration, only need to input the sensor parameters to complete the calibration.
5. 200 groups of peak and valley historical data are saved, and will not be lost when power is off.

MOUNTING DIMENSION



TECHNICAL PARAMETERS

SPECIFICATION	TECHNIQUE
Power Supply	AC 85V ~ 265V , 50/60Hz , about 7.5W
Inductor excitation voltage	DC 5V±1%, maximum current 114mA, can connect up to 8 350Ω load cell sensors
Minimum sensitivity	0.2μV/d
Zero adjustment range	0mV ~ +19mV
Measuring voltage range	-19mV ~ +19mV
Temperature Coefficient	≤ 5ppm
Nonlinear error	≤ 0.0015%F.S.
Internal resolution	About 1 / 50,000
Maximum Display Accuracy	1 / 150,000
Sampling speed	Up to 200 times / sec
Sampling method	Delta-Sigma
Protocol	MODBUS RTU protocol
Degree of protection	IP40
Adapt to the environment	Temperature: -10°C ~ 40°C
	Humidity: 10% ~90% non-condensing