

# AC-3088

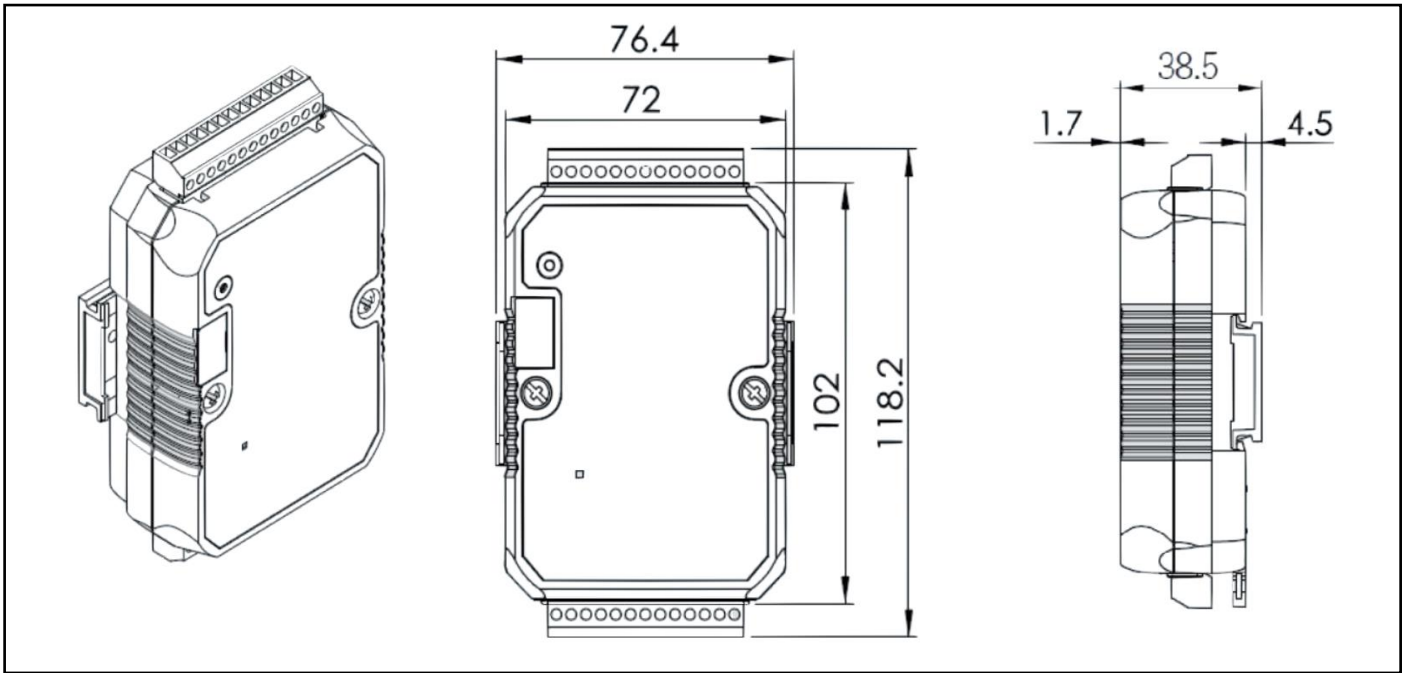
## Remote I/O Modules

- ※ 8 Input / 8 Output
- ※ RS-485 Interface
- ※ Supports Modbus RTU/ASCII
- ※ Operation Range: Up To 1200 Meters
- ※ Operation Temperature: -20~75°C
- ※ Isolation Voltage: 5000VDC
- ※ Surge, EFT And ESD Protection
- ※ LED Indicator
- ※ Dual Watchdog Timer



# Dimension

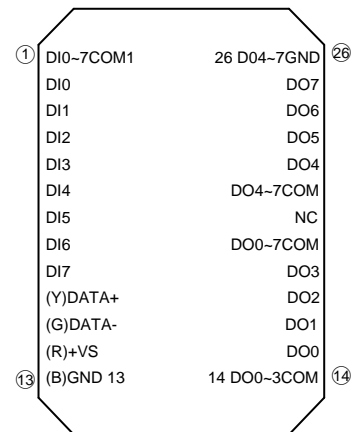
Unit:mm



# Specifications

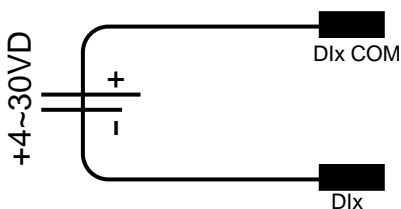
# Pin Table

Model	AC-3088
Operation Voltage	10~30VDC/24VAC
Output	8 (Sink Transistor)
Input	8 Isolation DI Status low:1VDC Status high:>5~30VDC
Power Consumption	Nearly 24VDC 1.28W
Input Power	+10~+30 VDC
Output Type	Sink
Input Type	Isolated Digital
Continuous Current	10~40VDC (200mA)
Output Rating (max)	40VDC/200mA
Communication Baud Rate	1200~115200bps
Isolation	5000VDC
Input Operating Frequency	10Hz
Output Operating Frequency	Relay:10Hz/Transistor:10Hz
Operation Temperature	-20 to +75°C
Degree Of Protection	IP20
Installation	35mm DIN rail or Flush mounting
Dimension(WxHxD ) mm	76.4 x 118.2 x 38.5



Item	Pin Assignment	Item	Pin Assignment
1	DI0~7COM	14	DO 0~3COM
2	DI0	15	DO0
3	DI1	16	DO1
4	DI2	17	DO2
5	DI3	18	DO3
6	DI4	19	DO0~3GND
7	DI5	20	NC
8	DI6	21	DO4~7COM
9	DI7	22	DO4
10	DATA+	23	DO5
11	DATA-	24	DO6
12	+VS	25	DO7
13	GND	26	DO4~7GND

## Input



## Output

