

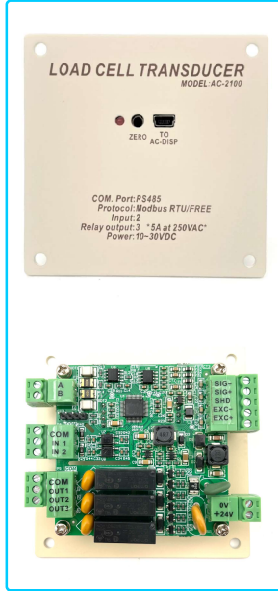
## LOAD CELL TRANSDUCER

### MODEL:AC-2100 Series

MODEL:AC-2100D



MODEL:AC-2100P



### Features & Application

1. Cost-effective, a variety of digital filtering.
2. RS485 interface, Modbus RTU/FREE Protocol.
3. 2-Input, 3 Relay output.
4. It can be calibrated and modified parameter via AC-DISP handheld Instrumentation.
5. Good stability and strong anti-interference.
6. Panel Mounting or 35mm DIN-rail mounting can be select.

MODEL:AC-DISP

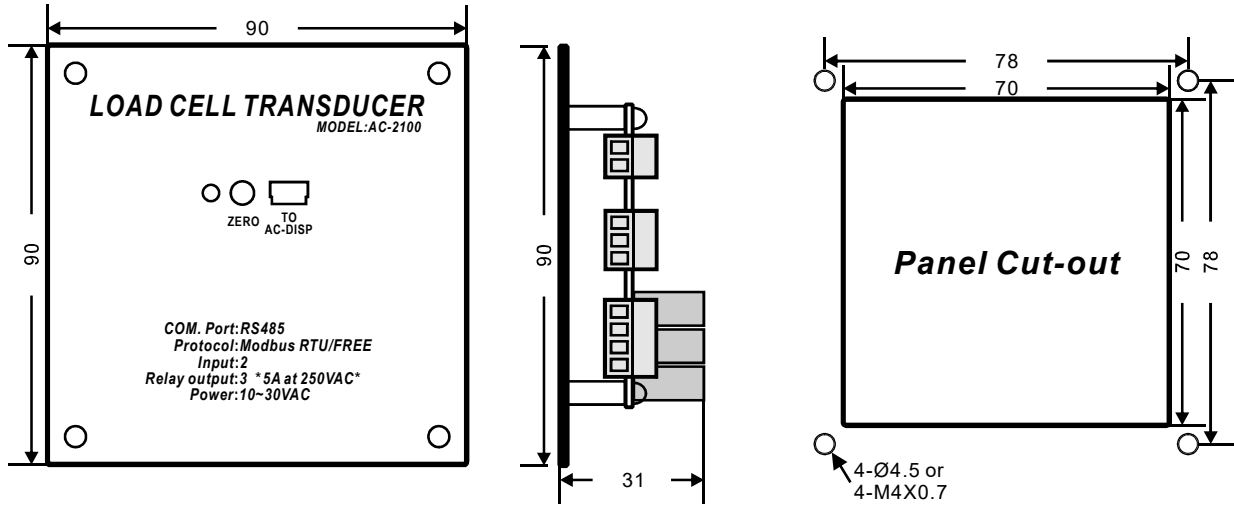


### Technical Parameters

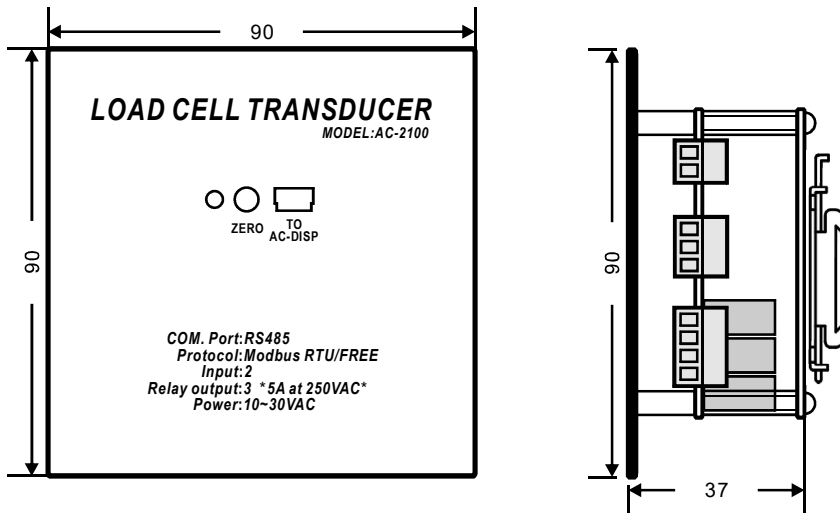
Specifications	Technique
Power supply	DC10~30V
Signal input range	0.4~6mV/V
Excitation voltage	5VDC±2%,100mA
A/D conversion resolution	24bit
Interface	RS485
Protocol	Modbus RTU/FREE
Baud Rate	1200.2400.4800.9600.19200.38400.57600.115200bps
Number of load cell	Up to 6 load cells 350Ω
Panel Mounting Dimensions	90 x 90 x 31mm
35mm DIN-rail Mounting Dimensions	90 x 90 x 37mm
Temperature operating	-30~60°C
A/D conversion rate	10.40.640.1280 Times/Sec.
Minimum indication resolution	1/10000
External I/O signal	2-Input, 3-Relay output *5A at 250VAC load capacity*
Protection	IP55

## Mounting Dimension

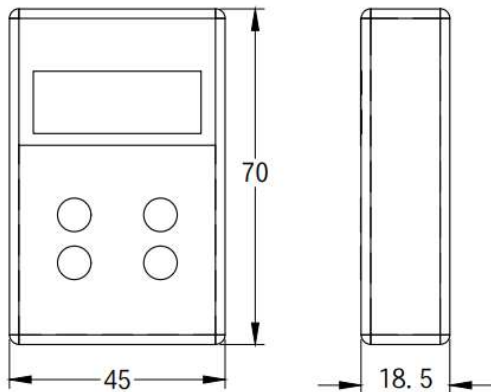
### MODEL:AC-2100P For Panel Mounting



### MODEL:AC-2100D For 35mm DIN-Rail Mounting



### MODEL:AC-DISP



UNIT:mm