

Delta Transducers

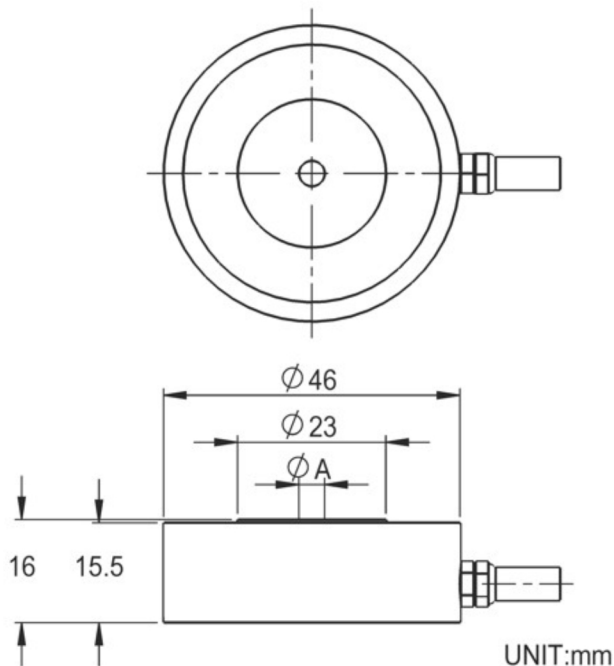
Model : ARI742



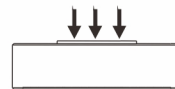
Features & Application

Special stainless steel material, high dynamic response frequency. Apply to the car being connected, automated assembly, 3 c product testing, new energy products assembly, medical detection, robot field, die assembly and other industrial test, measurement and control system.

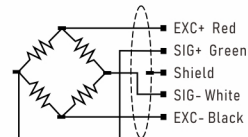
Mounting Dimension



Load Direction



Wiring



| | |
|------------------|-----------------|
| 量 程Capacity (kN) | 0.5/1/2/5/10/20 |
| φA | 4-16 可客製化 |

Technical Parameters

| Specifications | Technique |
|-----------------------|--------------------|
| Rated load | 0.5、1、2、5、10、20 kN |
| Rated Output | 1.0+10% mV/V |
| Zero balance | ±2.0% F.S. |
| Non-linearity | 0.3% F.S. |
| Hysteresis | 0.1% F.S. |
| Creep(30min) | 0.1%F.S.. |
| Temp.effect on output | 0.1%F.S. / 10°C |
| Temp.effect on zero | 0.1%F.S. / 10°C |
| Impedance | 700Ω |
| Insulation resistance | ≥5000MΩ / 100VDC |
| Excitation voltage | 5 ~ 15V |
| Operating temp range | -20~80°C |
| Safe overload | 120%F.S. |
| Maximum overload | 200%F.S. |
| Cable specifications | φ5x3 |