

Delta Transducers

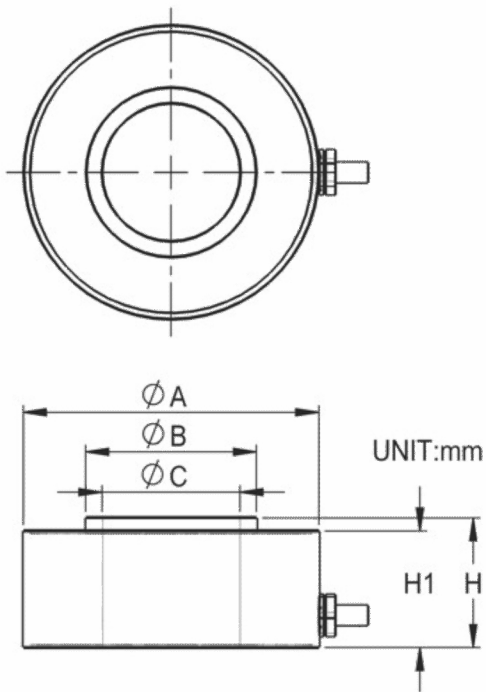
Model : ARI741



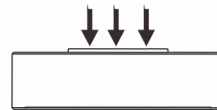
Features & Application

Special stainless steel material, high dynamic response frequency. Apply to the car being connected, automated assembly, 3 c product testing, new energy products assembly, medical detection, robot field, die assembly and other industrial test, measurement and control system.

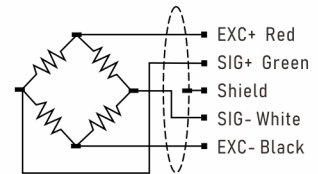
Mounting Dimension



Load Direction



Wiring



| 量程 Capacity | A | B | C | H | H1 |
|---------------------------|----|----|-----|----|----|
| 50/100/200/300/500/1000kg | 26 | 14 | 8.5 | 9 | 8 |
| 2t | 38 | 22 | 17 | 16 | 14 |
| 5t | 45 | 26 | 21 | 20 | 18 |

Technical Parameters

| Specifications | Technique |
|-----------------------|-----------------------------------|
| Rated load | 50、100、200、300、500、1000kg / 2、5 t |
| Rated Output | 1.0~2.0 ± 0.1 mV/V |
| Zero balance | 2.0% F.S. |
| Non-linearity | ±0.1% F.S. |
| Hysteresis | ±0.1% F.S. |
| Creep(30min) | ±0.1% F.S. |
| Temp.effect on output | 0.05%F.S. / 10°C |
| Temp.effect on zero | 0.05%F.S. / 10°C |
| Impedance | 700±3Ω |
| Insulation resistance | ≥2000MΩ |
| Excitasion voltage | 5~12V |
| Operating temp range | -20~+70°C |
| Safe overload | 120%F.S. |
| Maximum overload | 200%F.S. |
| Cable specifications | φ3x2000mm |