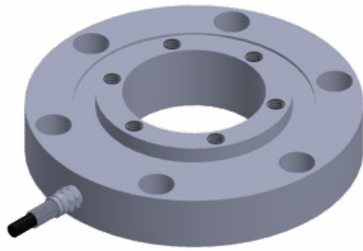


Delta Transducers

Model : ARI713

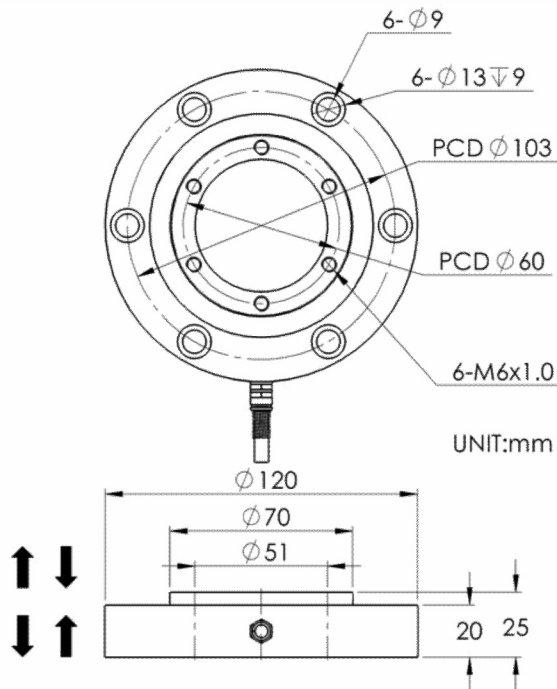


Features & Application

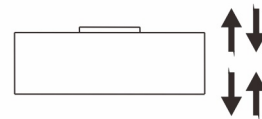
Using sensors is special stainless steel material manufacturing, rubber sealing processing, surface anodic oxidation, applicable to a variety of conditions.

Simple structure, convenient installation. Apply to the testing machine, pressure machine, hydraulic press, heat and cold press, electronic hook, said bin said, etc.

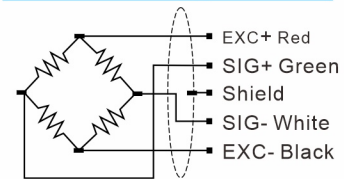
Mounting Dimension



Load Direction



Wiring



Technical Parameters

Specifications	Technique
Rated load	50 , 200 , 300 , 500 , 1000 , 3000 , 5000 kg
Rated output	2.0±10% <i>mV/V</i>
Zero balance	±1% F.S.
Non-linearity	0.05%F.S.
Hysteresis	0.05%F.S.
Creep error(30min.)	0.03% F.S.
Temp. effect on span	0.03% F.S. / 10°C
Temp. effect on zero	0.03% F.S. / 10°C
Material	Alloy steel
Insulation resistance	≥5000MΩ / 100VDC
Excitation voltage	5~15V
Compensated temp. range	-20~80°C
Safe overload	150% F.S.
Ultimate overload	200% F.S.
Cable	Ø5.5X3m