

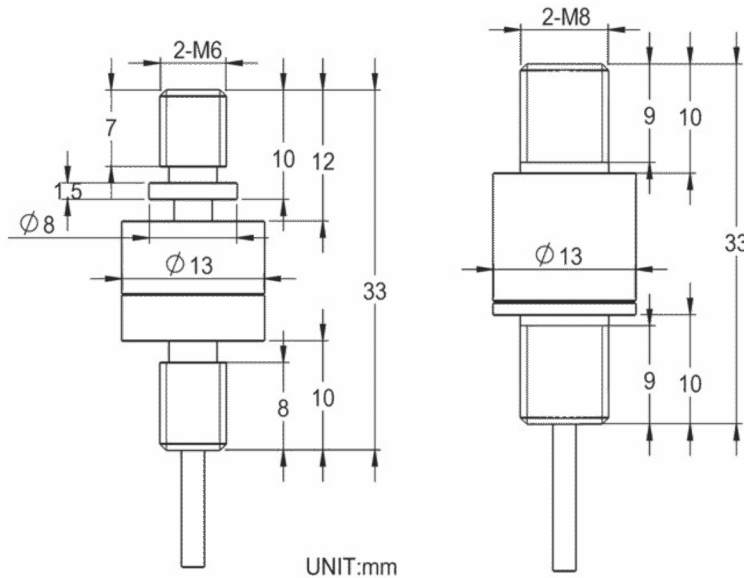
## Model : ARI640



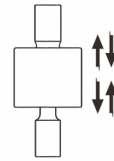
## Features & Application

Miniature load cell with metal foil strain gauge technology, made of stainless steel or aluminum alloy. Suitable for force measurement in limited spaces. Widely used for industrial measurement and control, R&D and other applications.

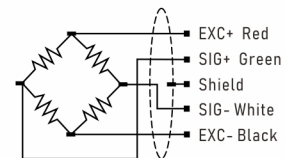
### Mounting Dimension



### Load Direction



### Wiring



量程 Capacity(kg)	M	電纜線	重量
10/15/20/30/50/100	M6	Φ2	0.1kg
200/300/400/500	M8	Φ2	0.1kg

### Technical Parameters

Specifications	Technique
Rated load	10, 15, 20, 30, 50, 100, 200, 300, 400, 500 kg
Rated output	1.0±20% mV/V
Zero balance	±5% F.S.
Non-linearity	1% F.S.
Hysteresis	0.5% F.S.
Repeatability	0.5% F.S.
Creep (30min.)	0.1% F.S.
Temp. effect on output	0.2% F.S. / 10°C
Temp. effect on zero	0.2% F.S. / 10°C
Impedance	350 / 500 / 1000Ω
Insulation resistance	≥5000MΩ / 100VDC
Excitation voltage	5~10V
Operating temp range	-20~80°C
Safe overload	150% F.S.
Maximum overload	200% F.S.
Cable specifications	φ2x2m