

REMOTE DISPLAY AC-9130D



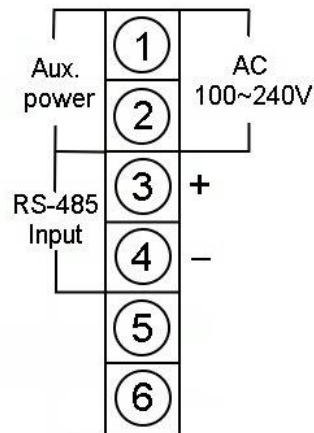
888888

REMOTE DISPLAY

MODEL		AC-9130D
SPECIFICATION		
DISPLAY	DIGIT SIZE	4"(10cm)
	CONTENTS	6 active digits
POWER REQUIREMENTS		AC100~240V
INPUT INTERFACES		RS-485
MODE		Master/Slave Can Be Select
ADDRESS		1 ~ FF(16Hex)
BAUDRATE		2400/4800/9600/19200
FRAME		N.8.2 , E.8.1 , O.8.1 , N.8.1
PROTOCOL		Modbus RTU Mode
DIMENSION		640(W)x150(H)x60(D)mm

CONNECTION DIAGRAM

AC100~240V



DIMENSION

UNIT:mm

